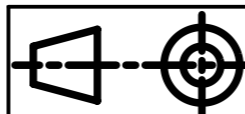


22-03-06
1/19



Date
2022-03-02



Sheet 1-8

2022-03-02
14:32:01

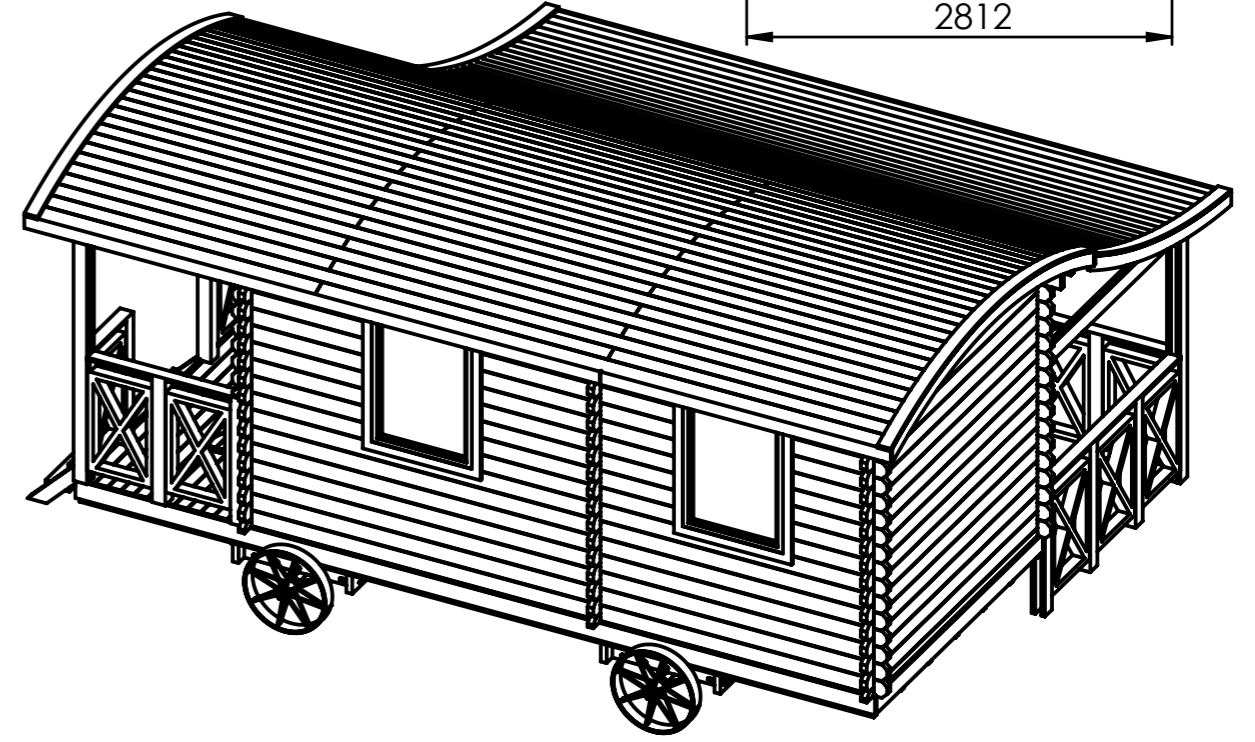
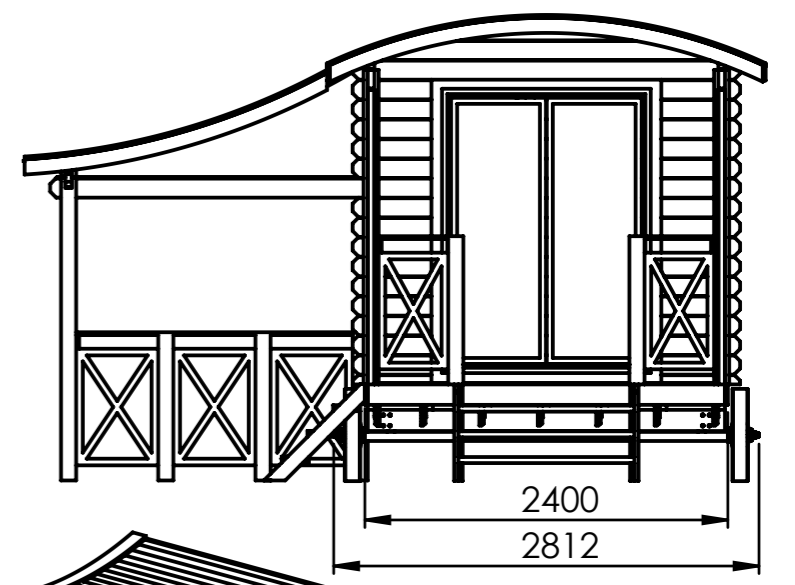
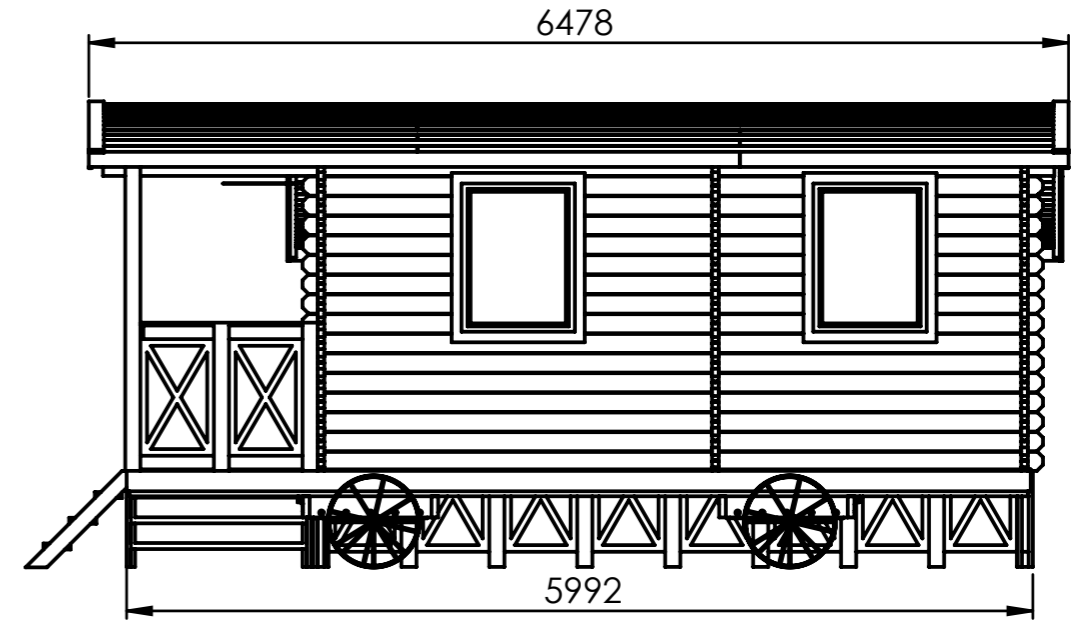
Date

220224_CRW185-Wagon2460(185)-[11].0

A3

22-03-06
2/19

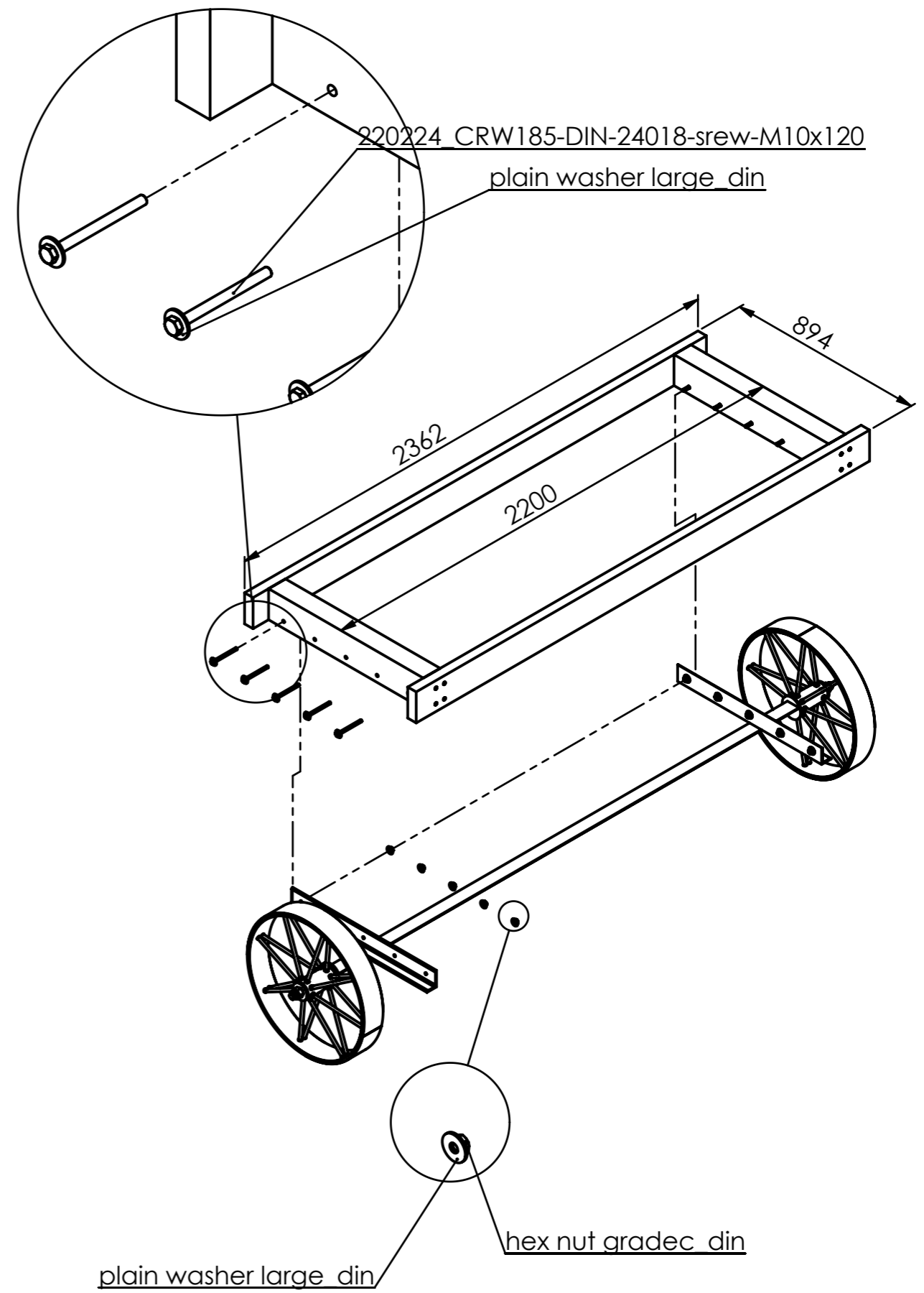
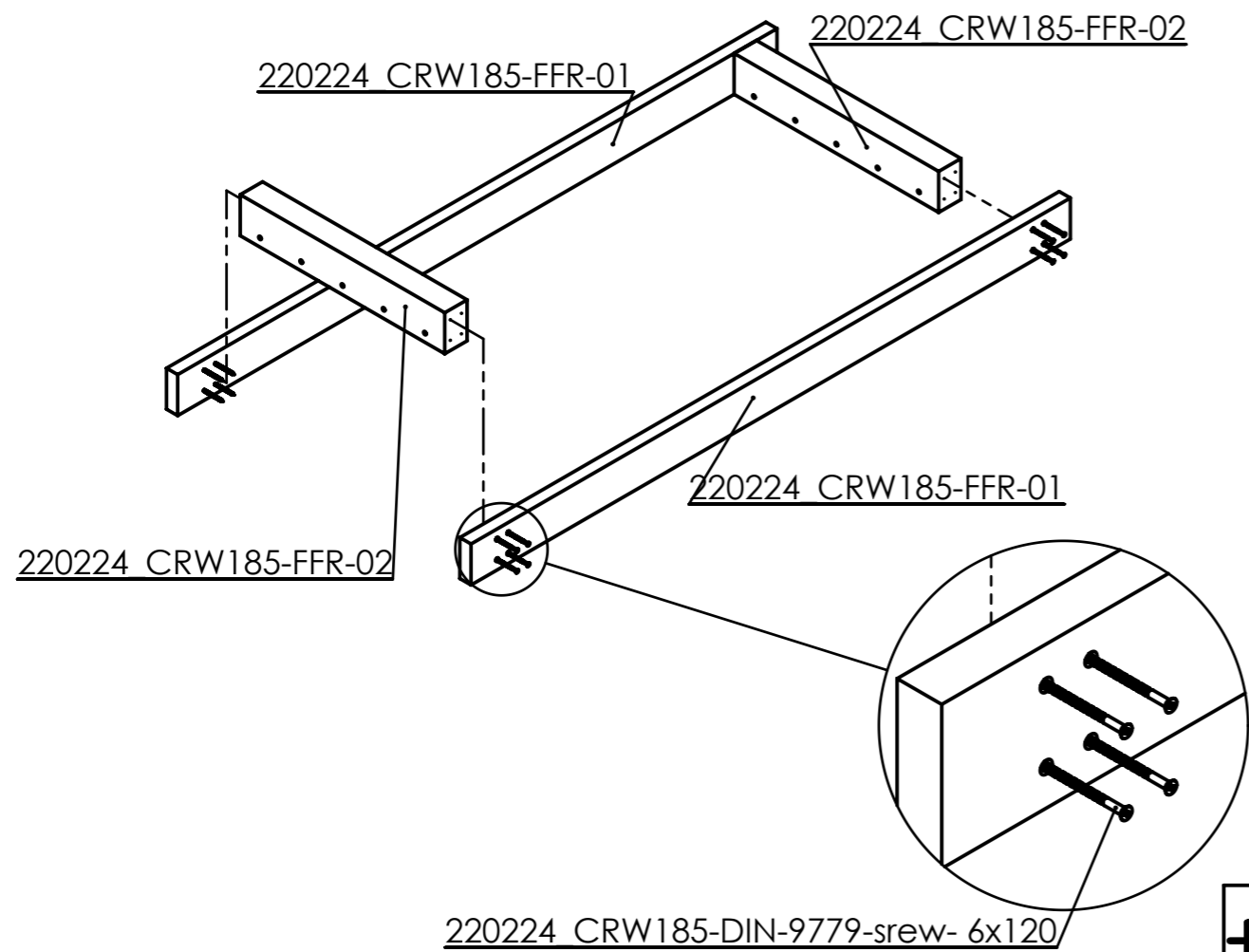
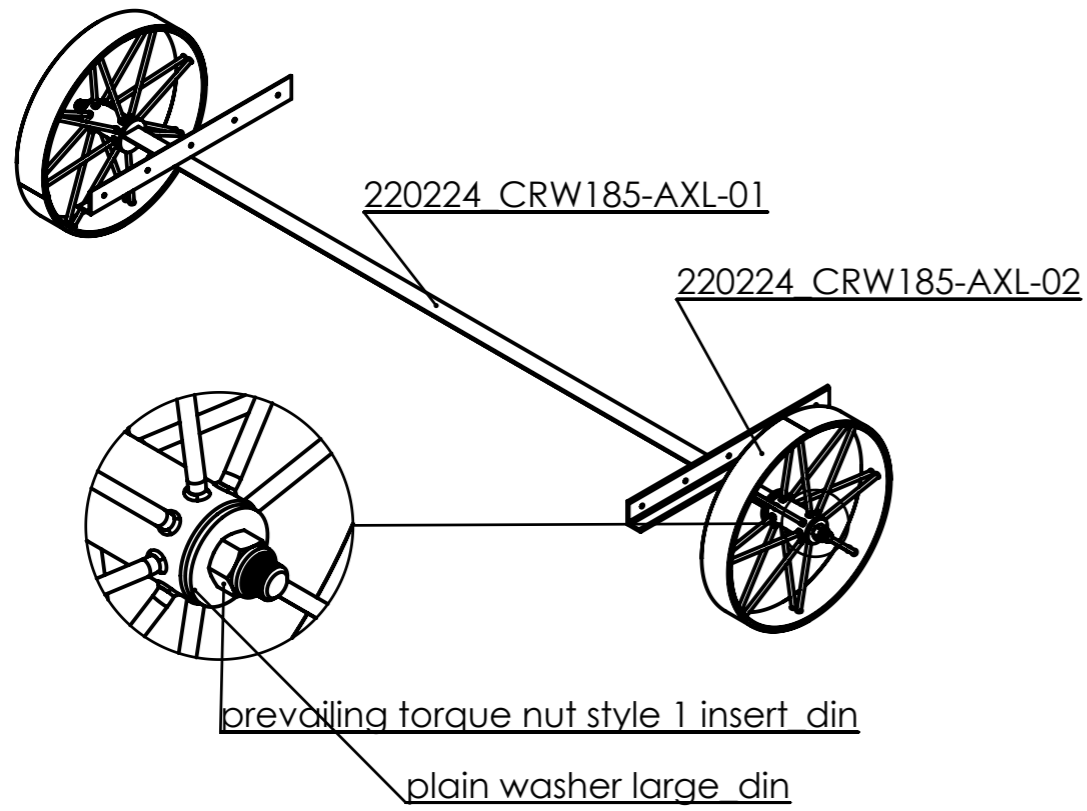
ITEM NO.	PART NUMBER	DESCRIPTION	QTY.
30	220224_CRW185-FBD-01	Floorboard	46
31	220224_CRW185-FTB-03	Veranda floorboard	14
32	220224_CRW185-FFR-01	Floor frame	4
33	220224_CRW185-FFR-02	Floor frame	4
34	220224_CRW185-FJT-04	Panel	7
35	220224_CRW185-PWN-03	Board covering floor joint	2
36	220224_CRW185-PWN-07	Board covering floor joint	25
37	220224_CRW185-ANG-01	Angle-L	7
38	220224_CRW185-ANG-02	Angle-R	7
39	220224_CRW185[DRS 200X140]	DOOR1880x1380	1
40	220224_CRW185[DRS 1900x900gls]	DOOR 1880x880	1
41	220224_CRW185[WDS 100x76]	WINDOW 980x750	4
42	220224_CRW185[clm-2]	COLUMN 2000	2
43	220224_CRW185[clm-1]	COLUMN 2080	2
44	220224_CRW185[clm-3]	COLUMN 2065	1
45	220224_CRW185-STR-02	STAIRS	2
46	220224_CRW185[6-RLG5]	FENCE	2
47	220224_CRW185[6-RLG1]	FENCE	1
48	220224_CRW185[6-RLG3]	FENCE	1
49	220224_CRW185[6-RLG4]	FENCE	2
50	WHEEL	WHELL	4
51	AXLE	AXLE	2



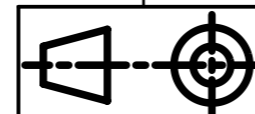
Date	2022-03-02
------	------------

			2022-03-02 14:32:01		220224_CRW185-Wagon2460(185)-[11].0	A3
	Sheet 2-8	Date				

22-03-06
3/19



Date
2022-03-02



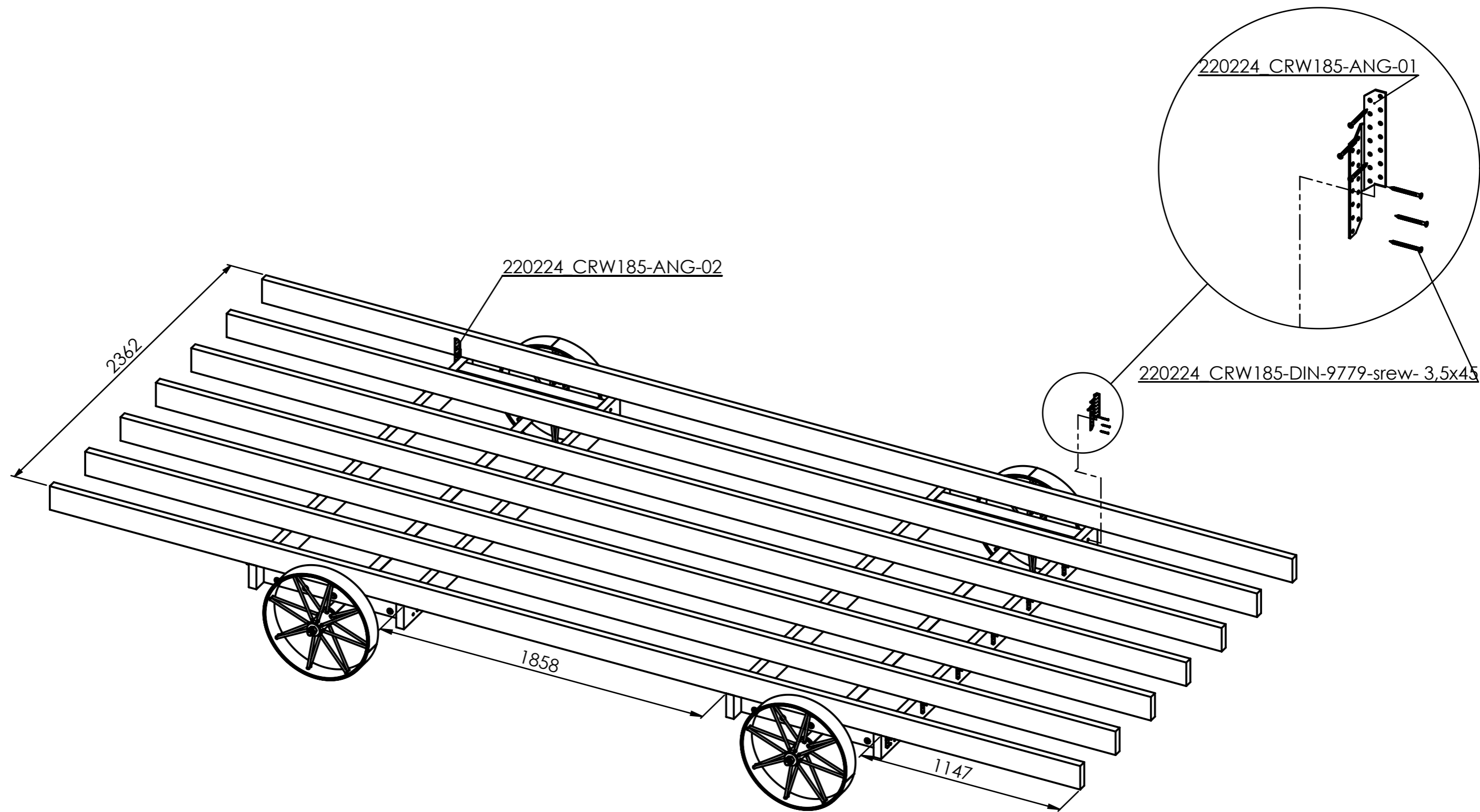
Sheet 3-8

2022-03-02
14:32:01
Date

220224_CRW185-Wagon2460(185)-[11].0

A3

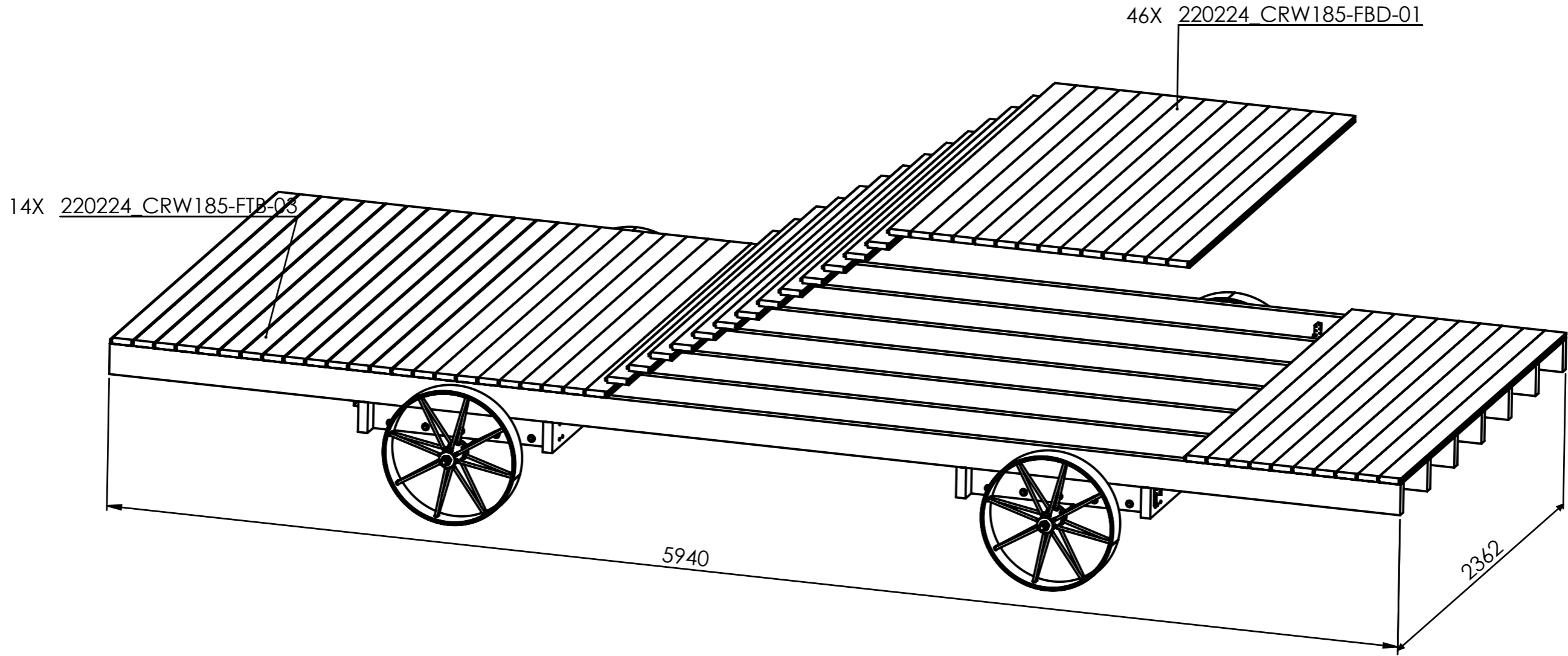
22-03-06
4/19





Date	2022-03-02

				2022-03-02 14:32:01		220224_CRW185-Wagon2460(185)-[11].c	A3
		Sheet 4-8	Date				

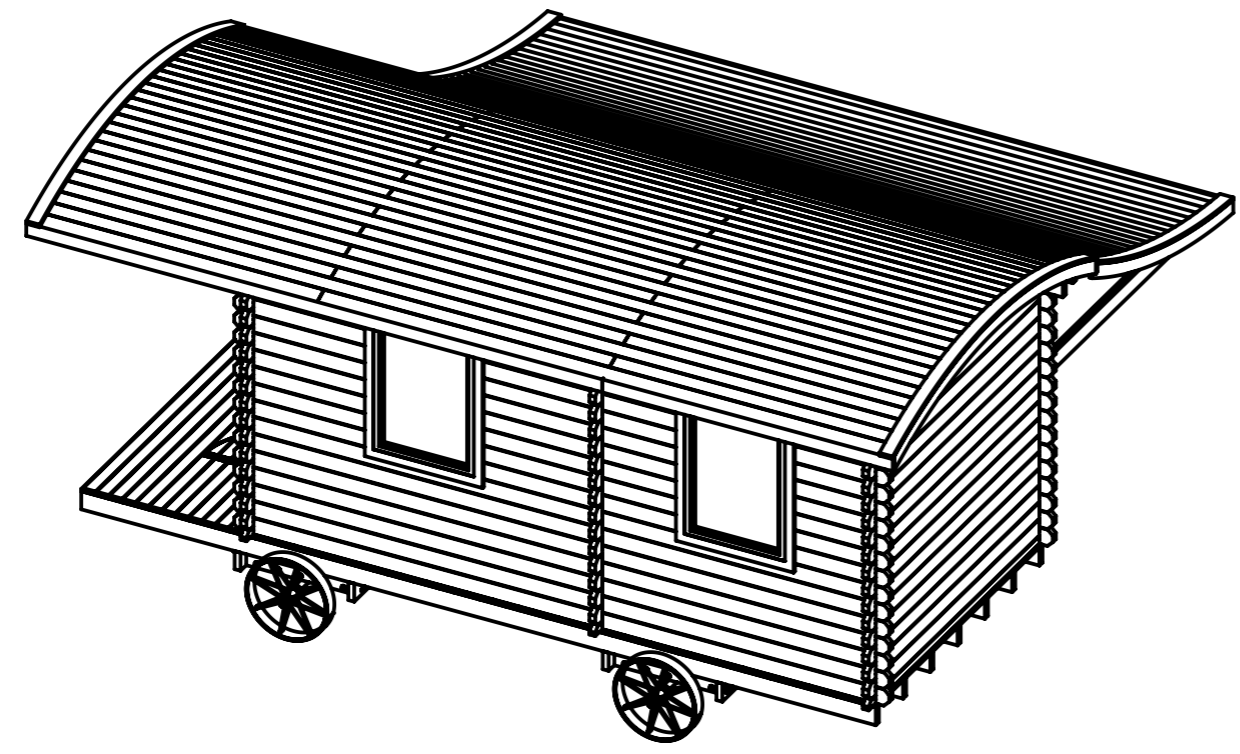
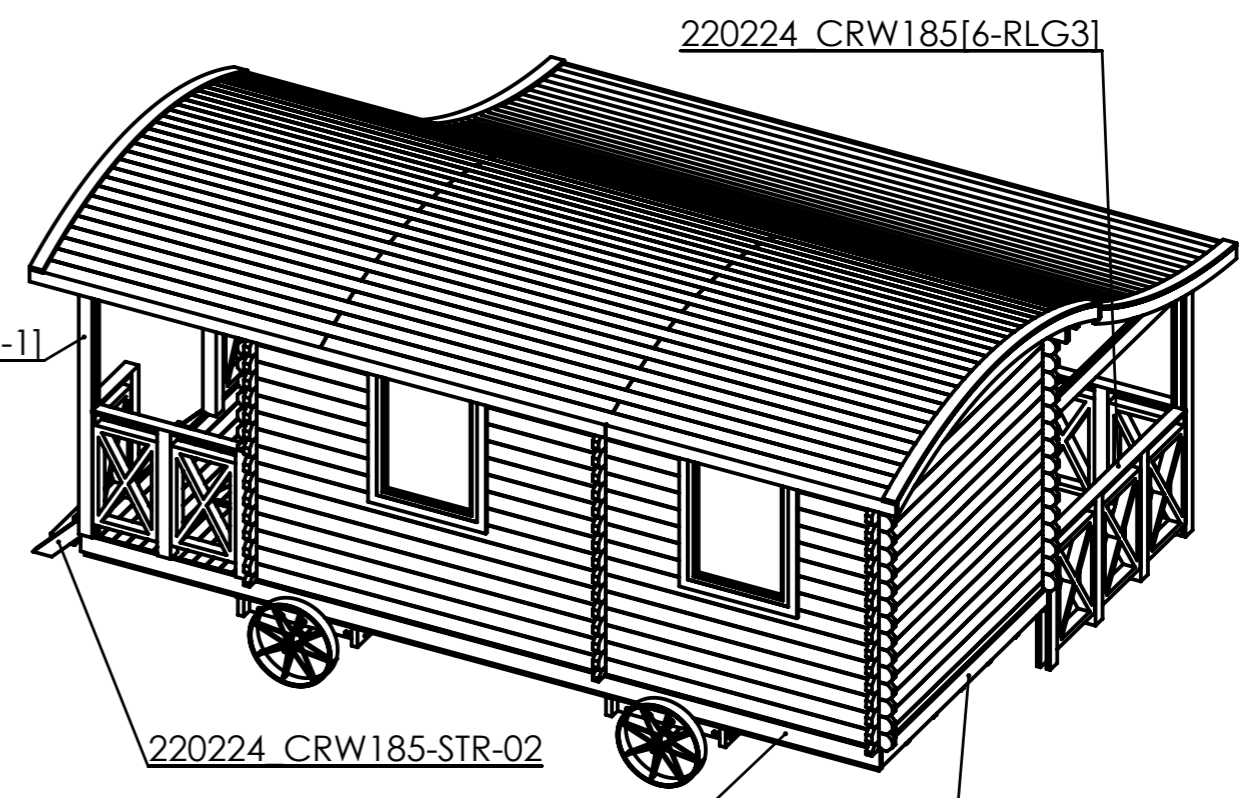
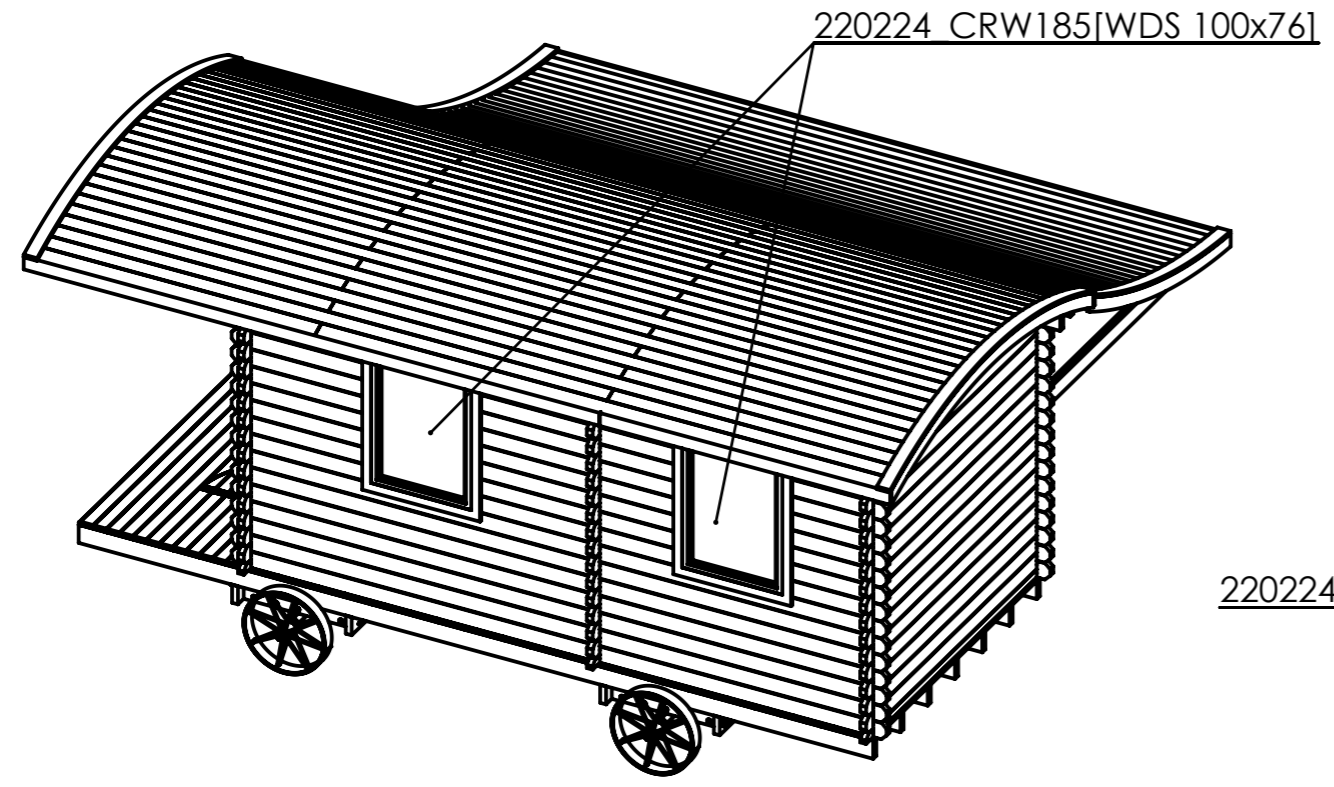
22-03-06
5/19



Date	2022-03-02

					2022-03-02		220224_CRW185-Wagon2460(185)-[1].0	A3
					14:32:01			
		Sheet 5-8	Date					

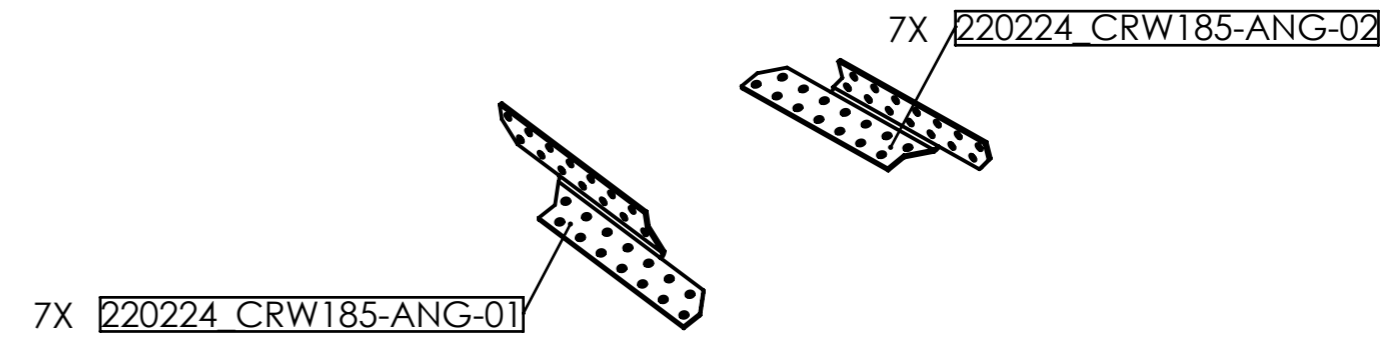
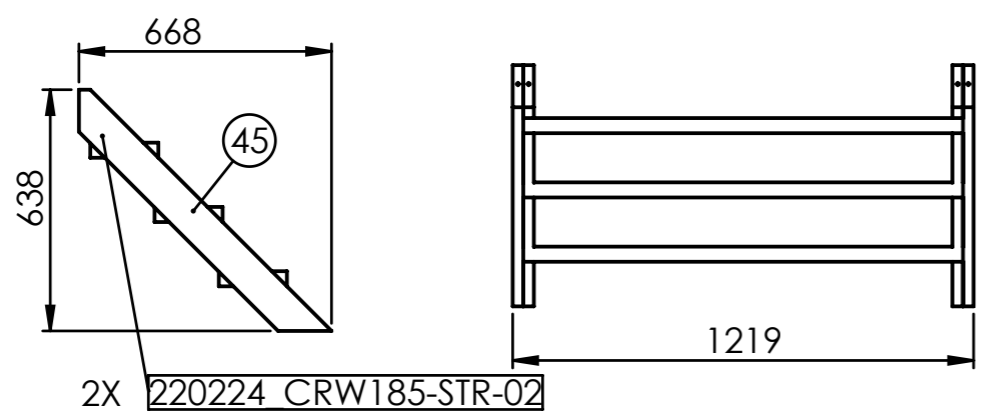
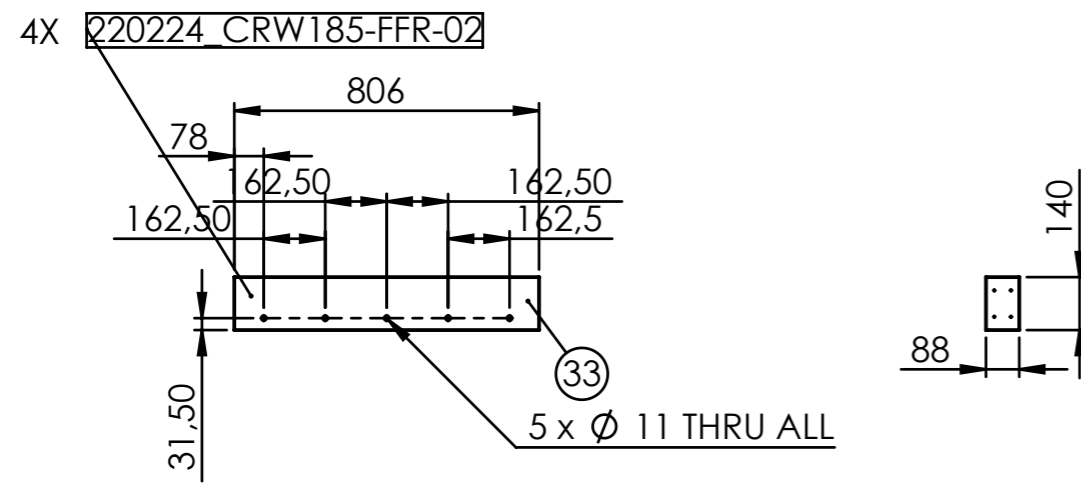
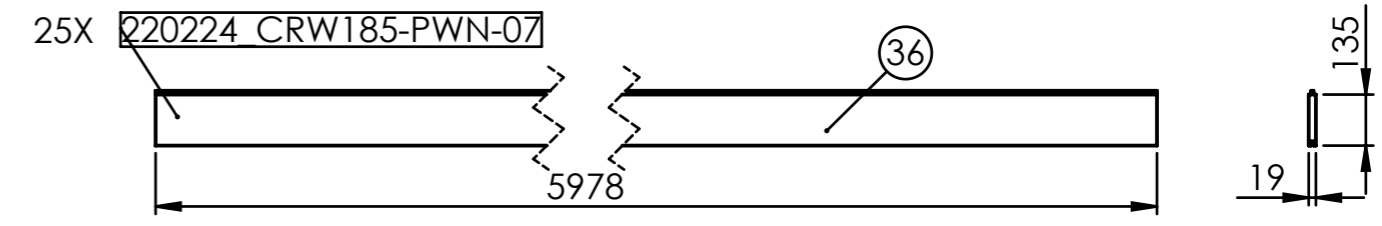
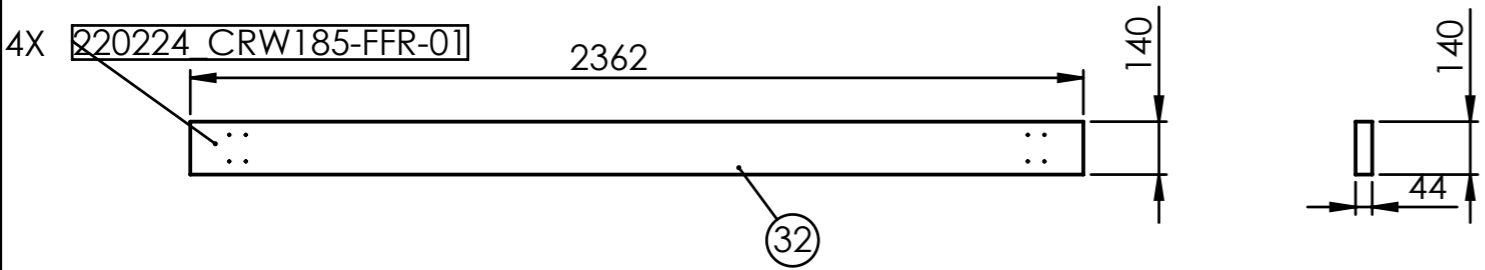
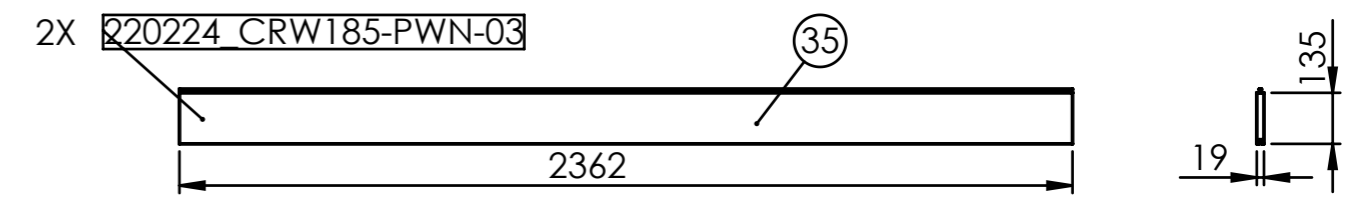
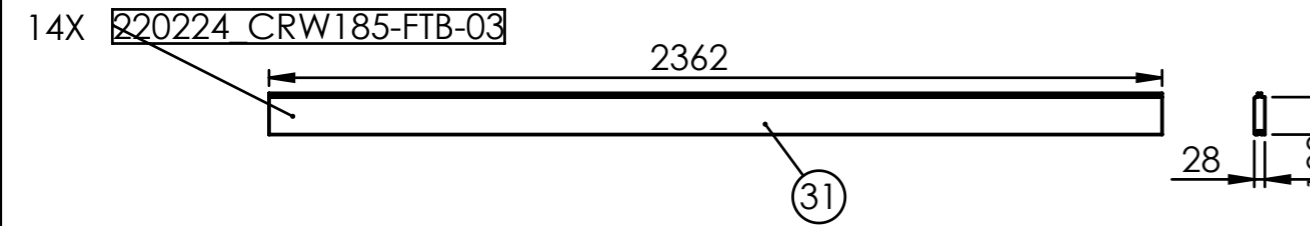
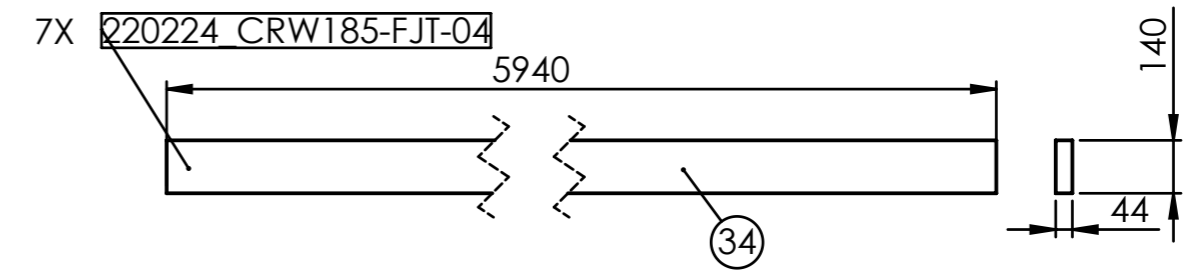
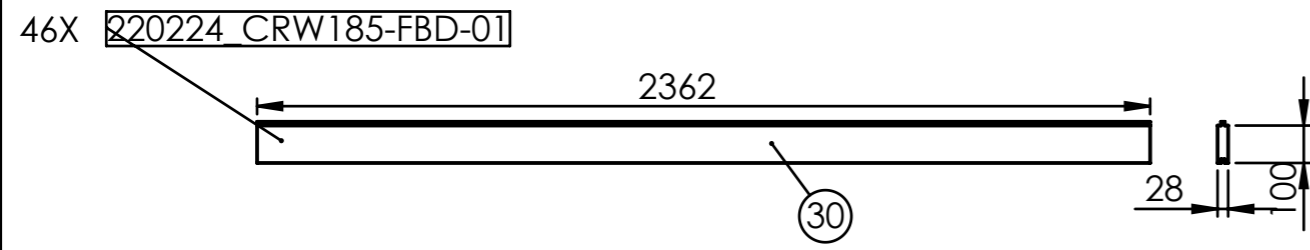
22-03-06
6/19



Date	2022-03-02

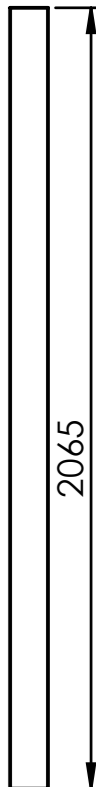
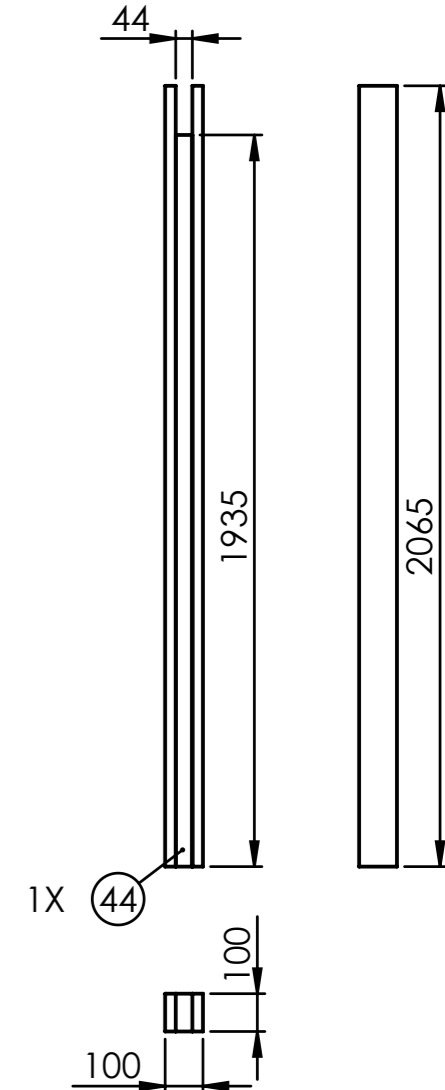
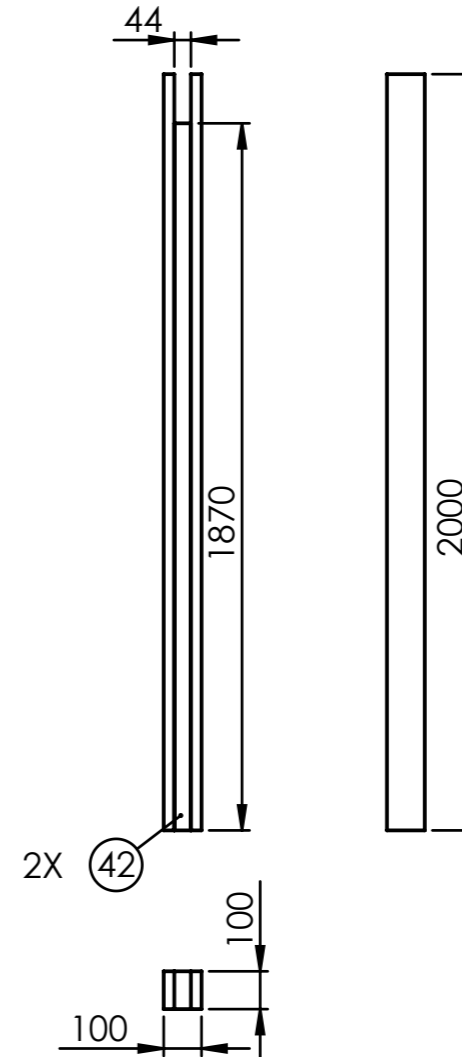
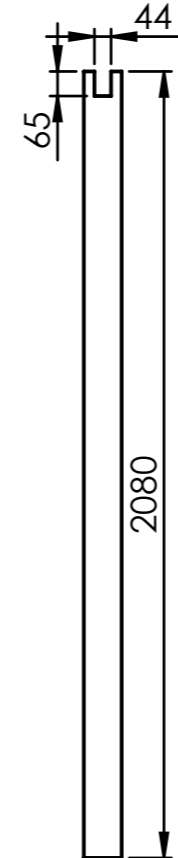
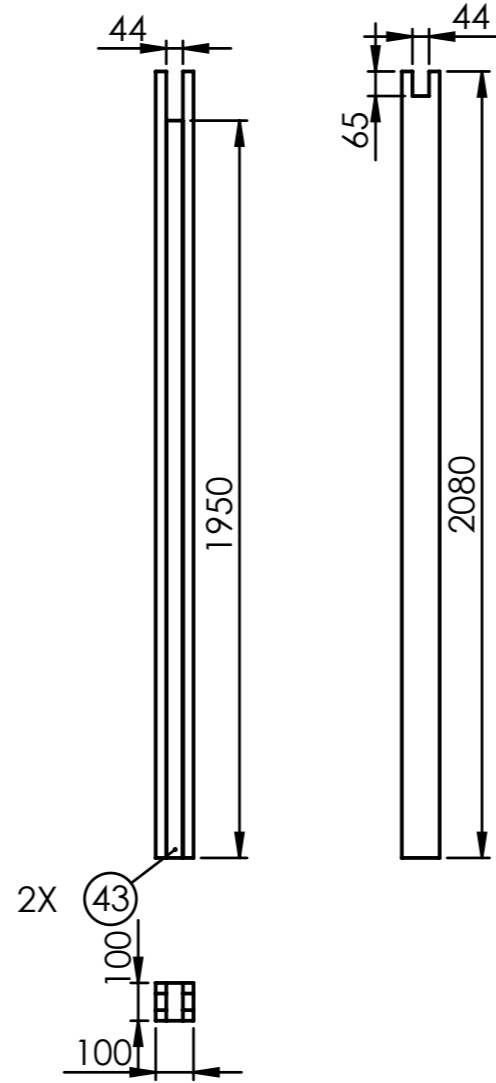
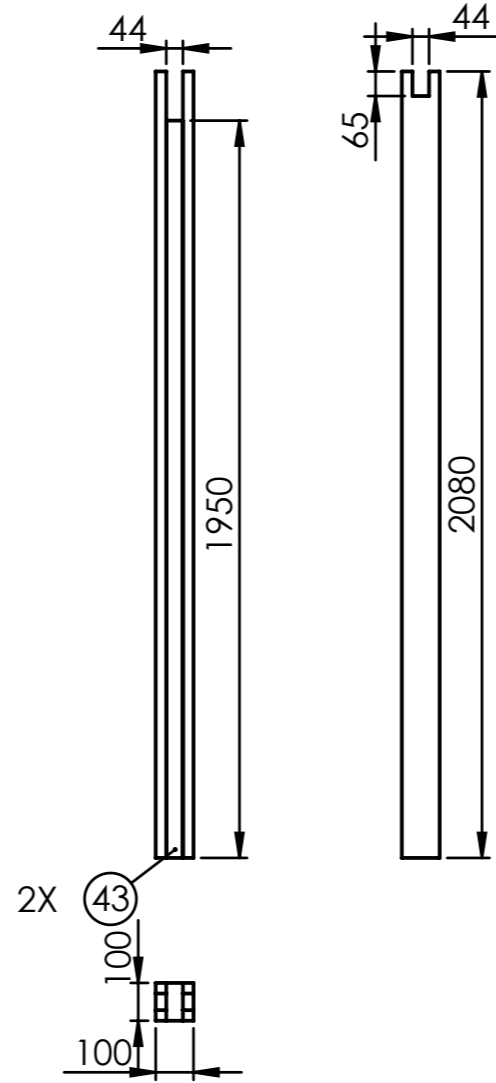
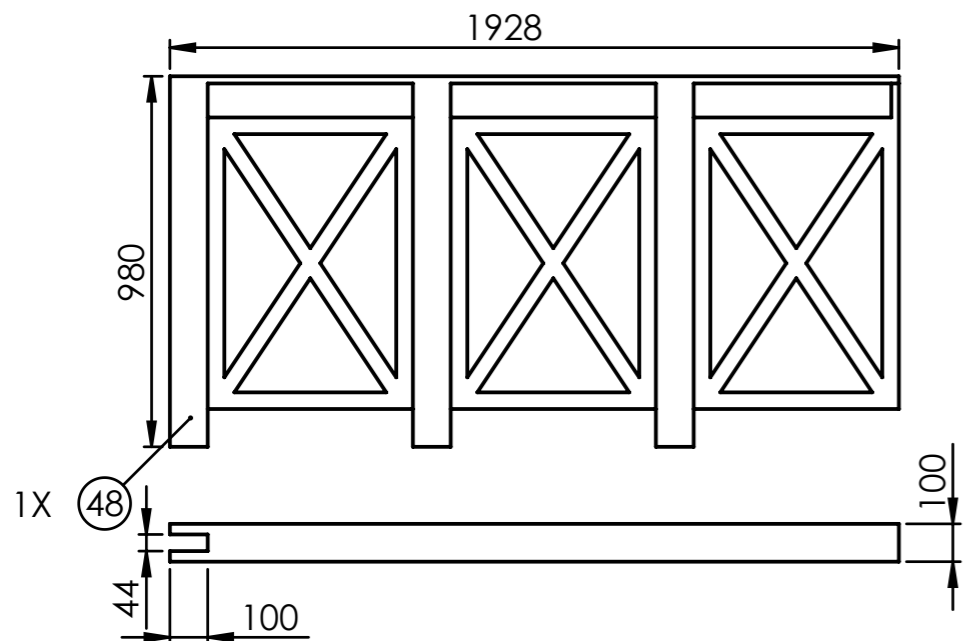
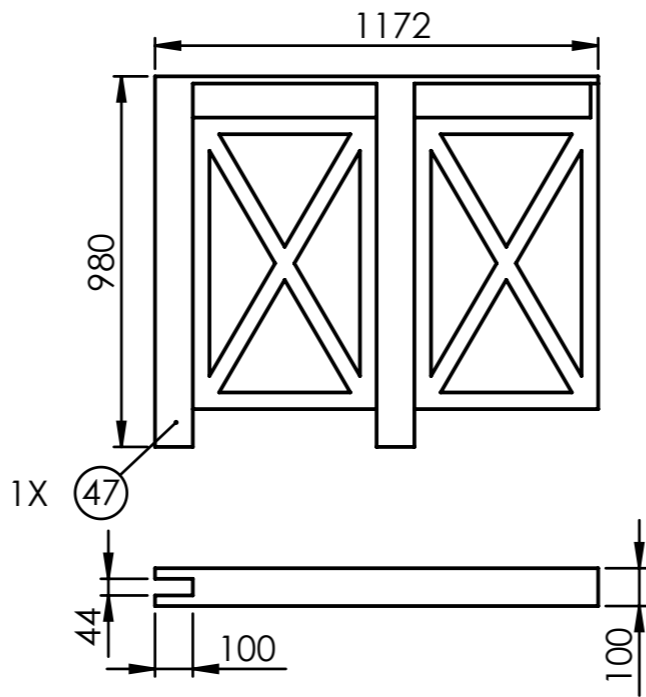
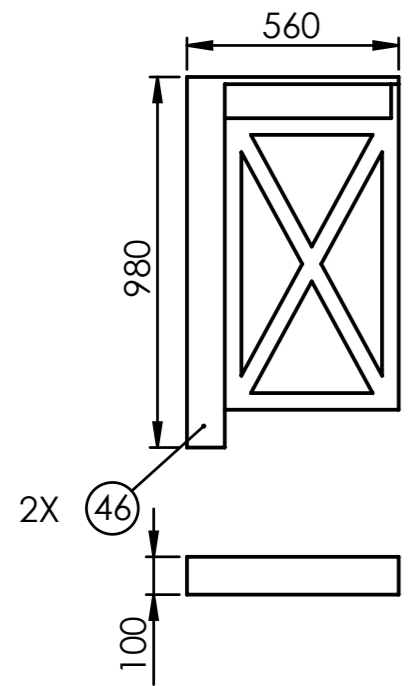
				2022-03-02 14:32:01		220224_CRW185-Wagon2460(185)-[11].0	A3
		Sheet 6-8	Date		1		

22-03-06
7/19



Date	2022-03-02
------	------------

22-03-06
8/19



Date	2022-03-02
0.04753422	



Sheet 8-8

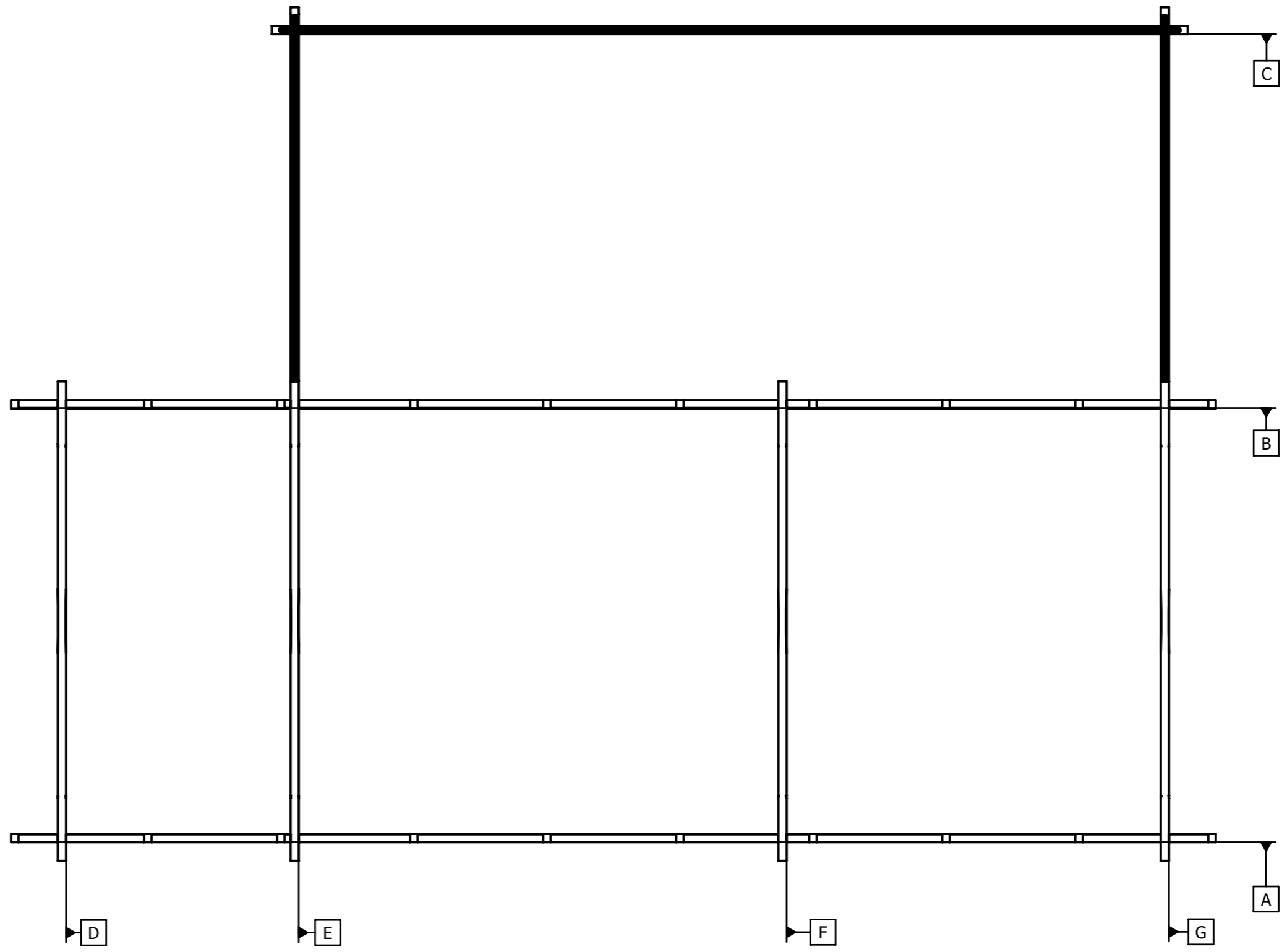
2022-03-02
14:32:01

Date

220224_CRW185-Wagon2460(185)-[11].0

A3

22-03-06
9/19



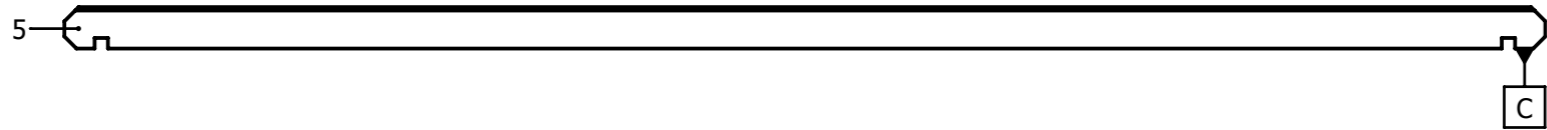
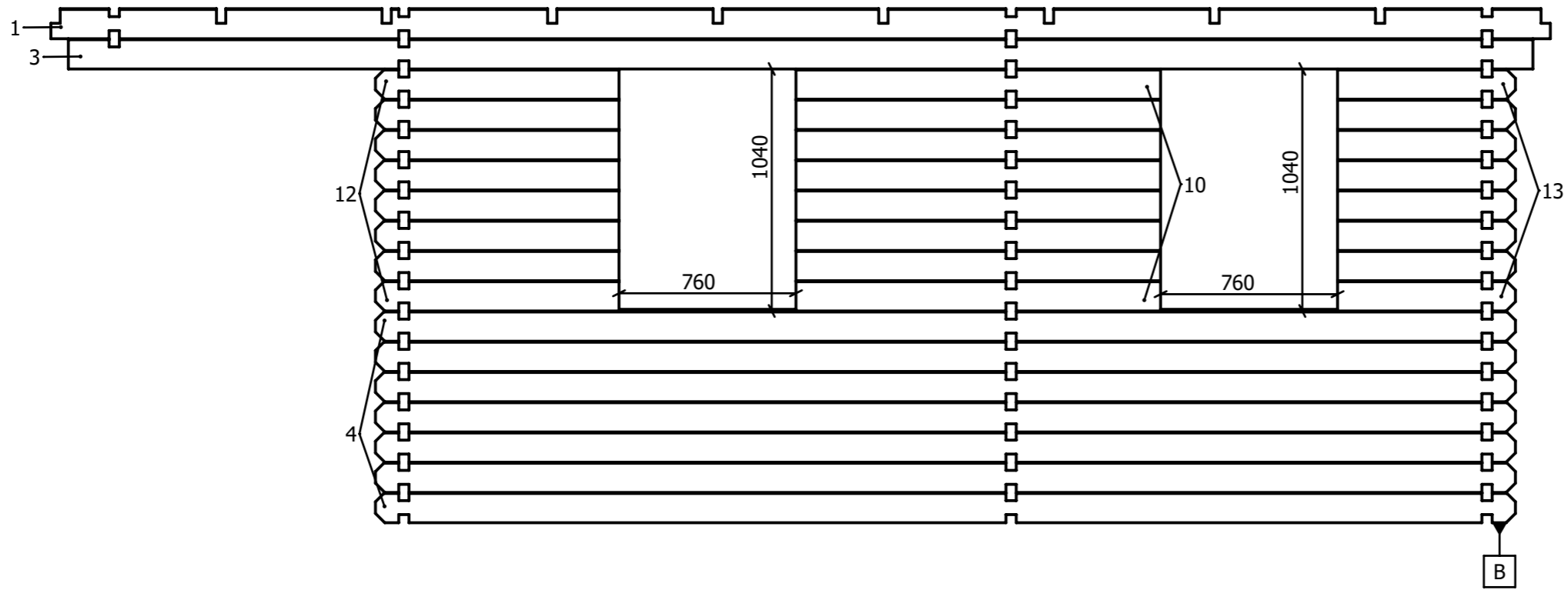
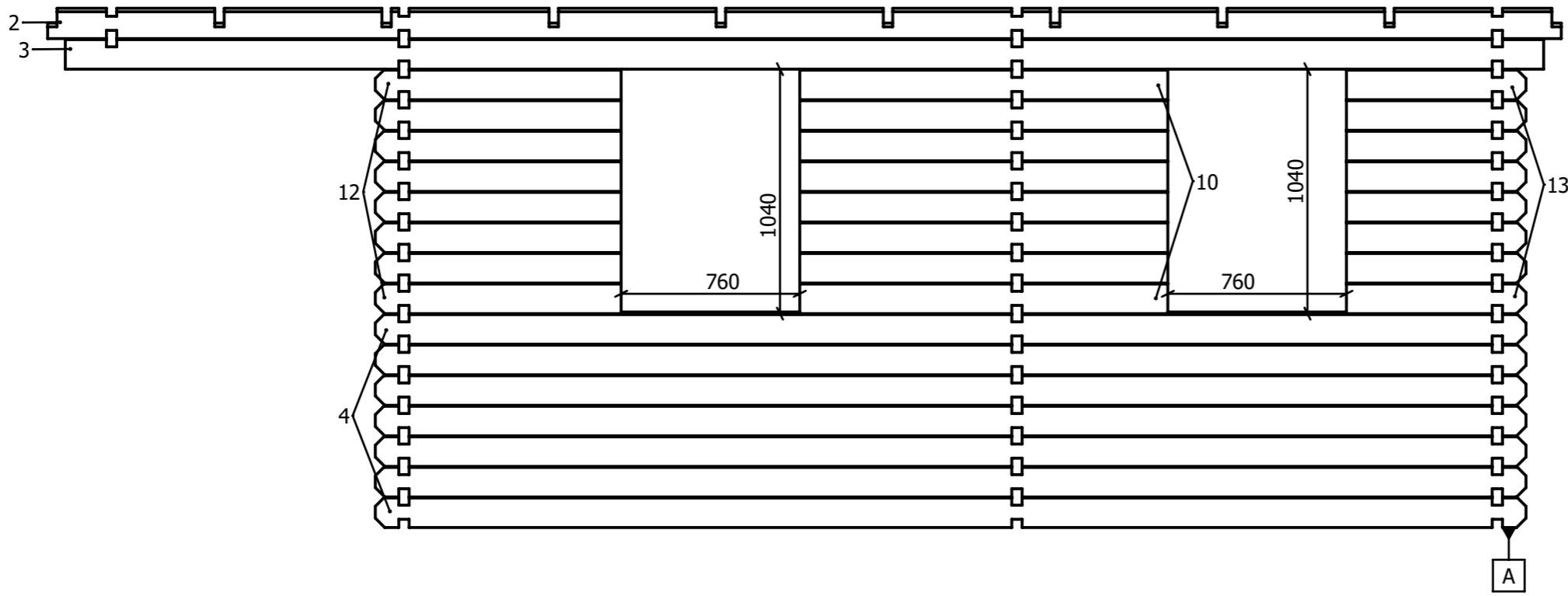
Date	2022-02-27

				2022-02-27		220224_CRW185[1w-1]	A3
		SgS	Date				PLN

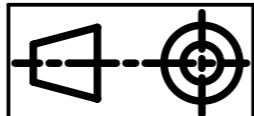
2

1

22-03-06
10/19



Date	2022-02-27



Sheet 2-7

2022-02-27
13:04:50

Date

220224_CRW185[1w-1]

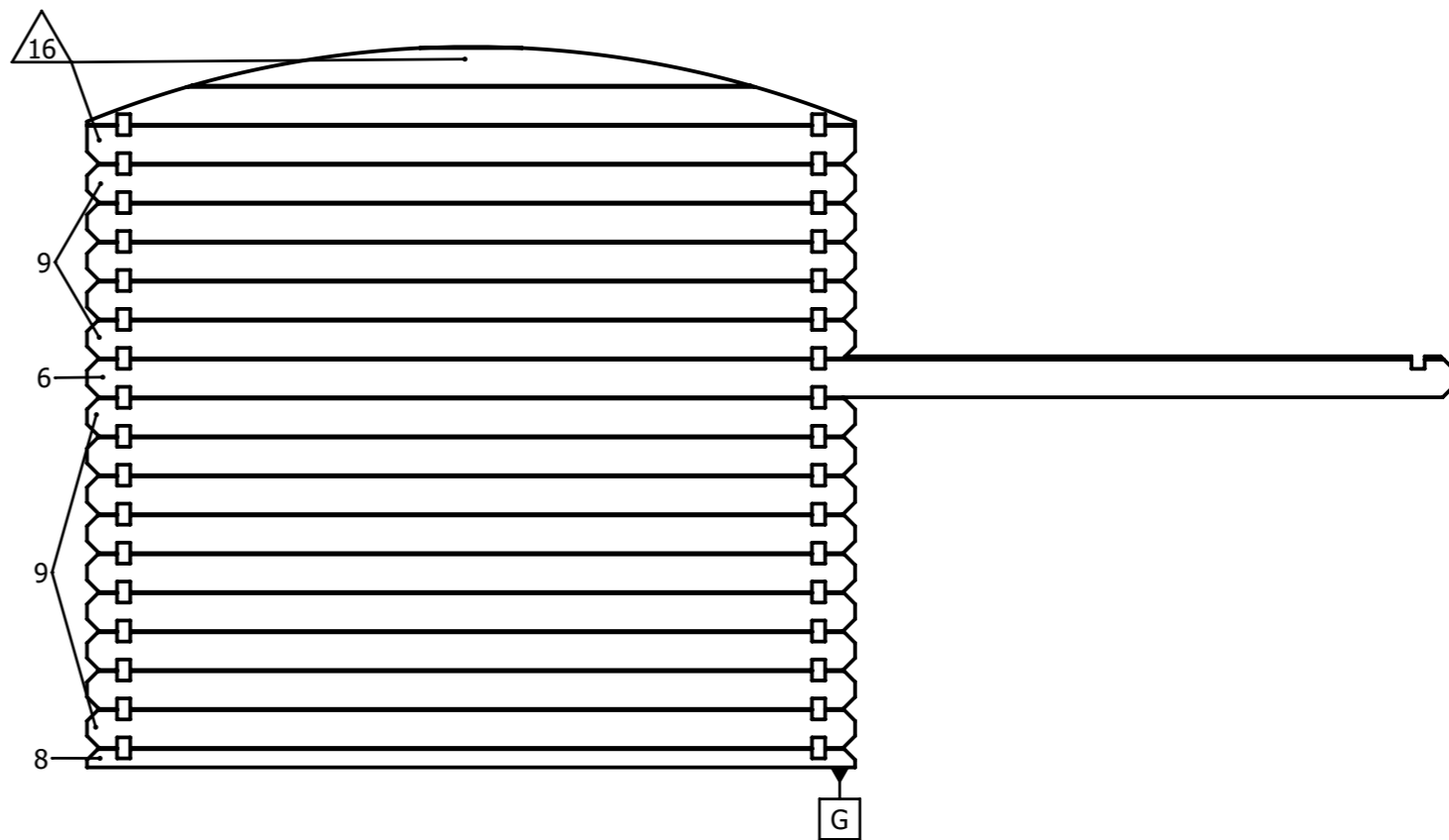
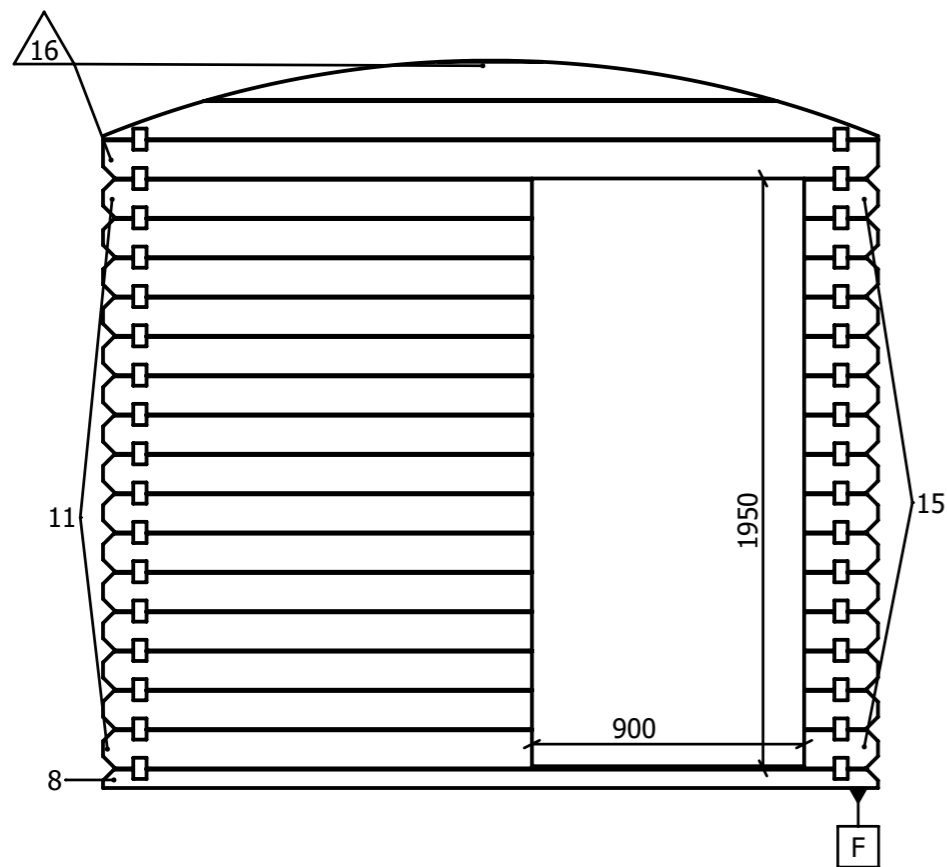
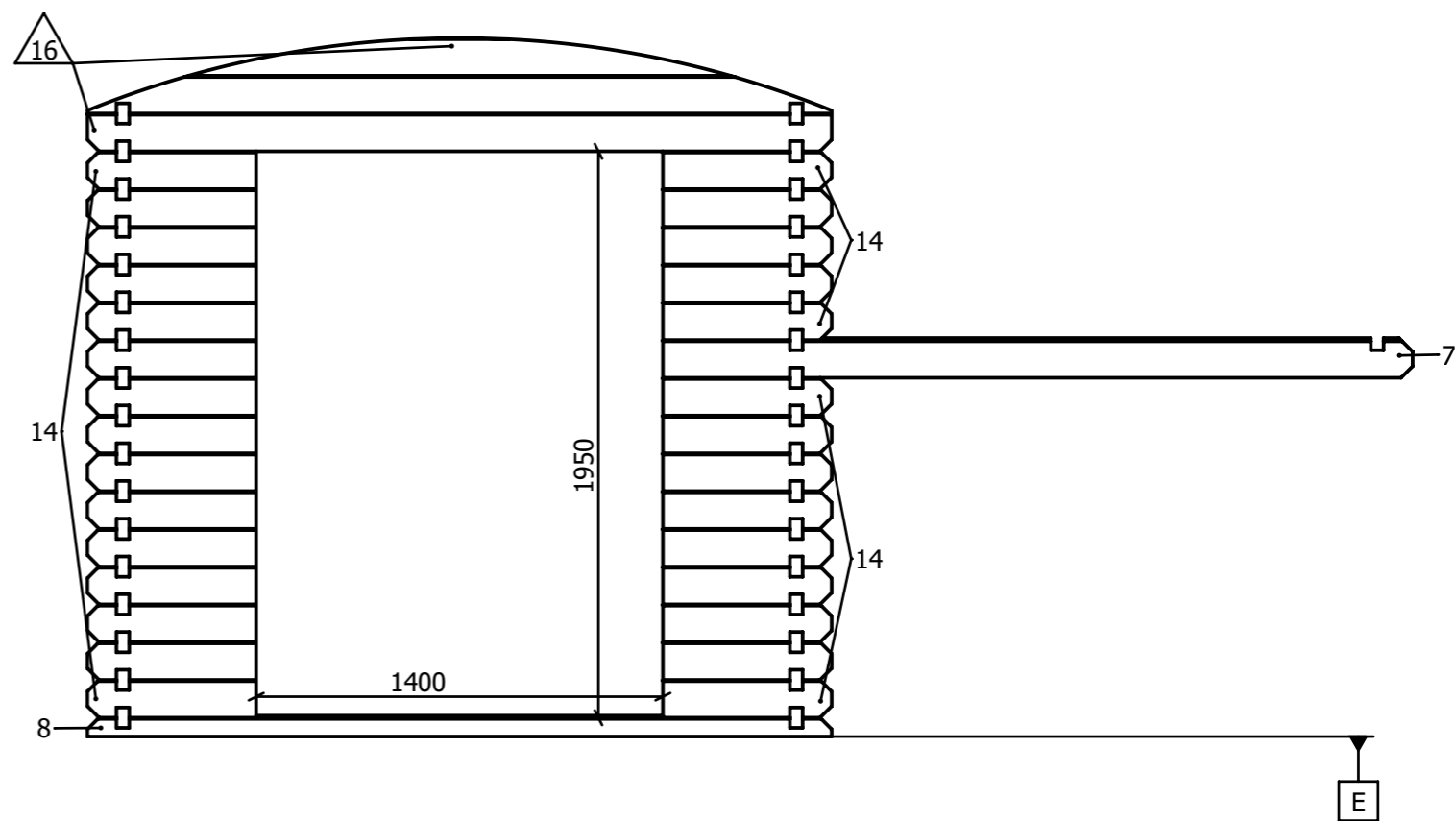
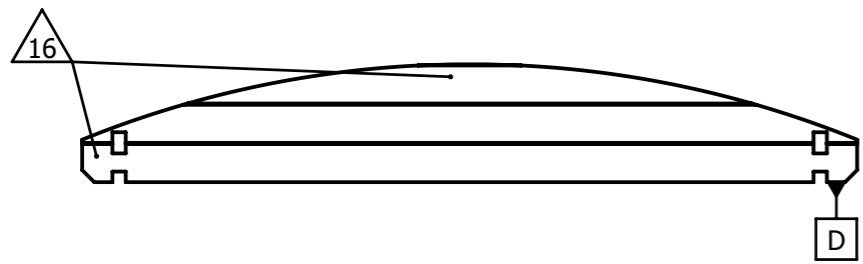
A-B-C

A3

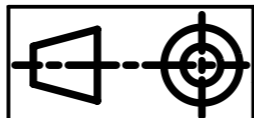
2

1

22-03-06
11/19



Date	2022-02-27
------	------------



Sheet 3-7

2022-02-27
13:04:50

Date

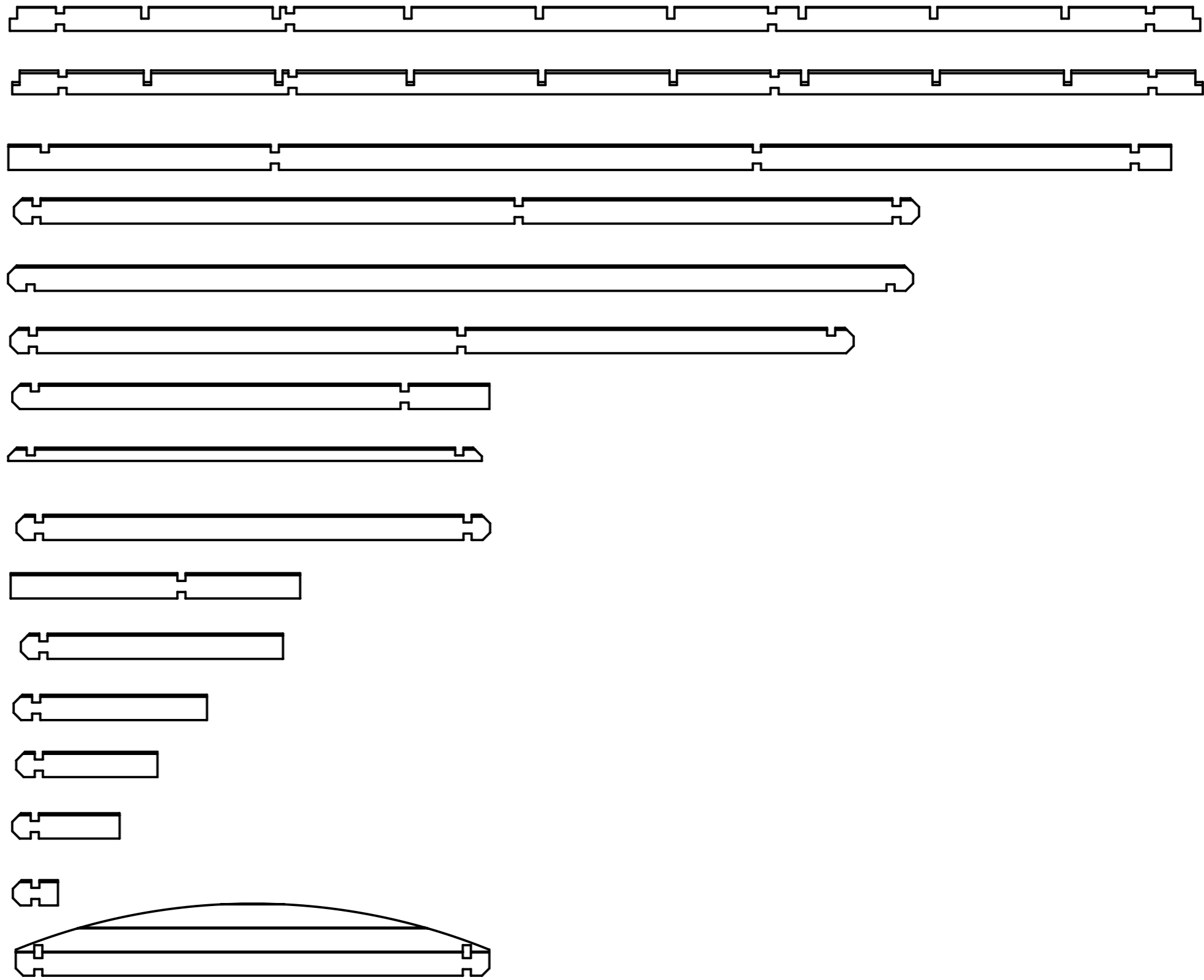
220224_CRW185[1w-1]

D-E-F-G

A3

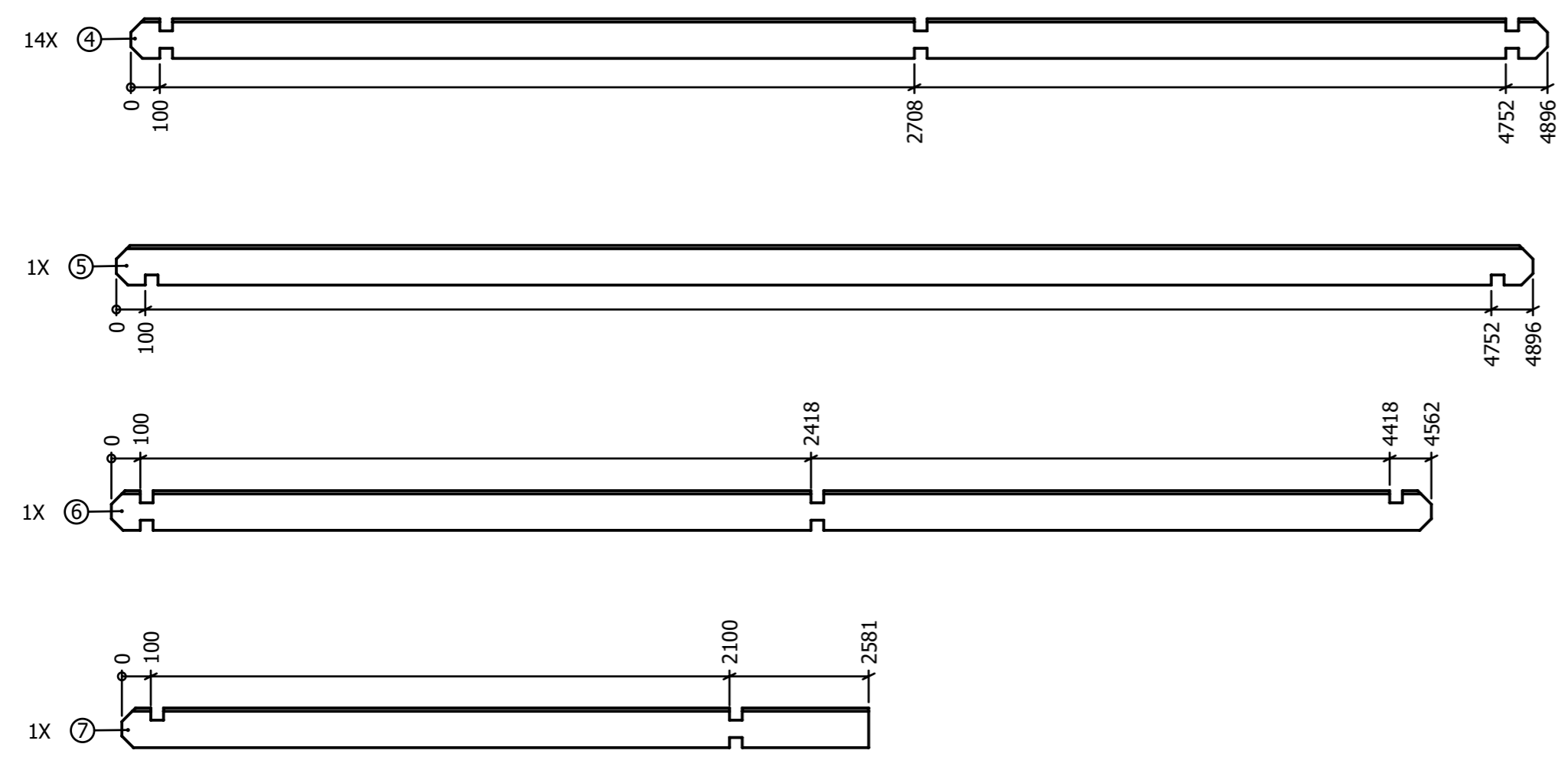
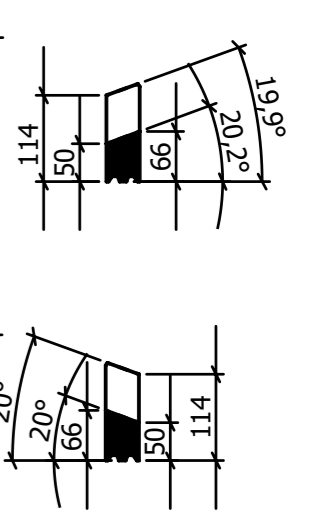
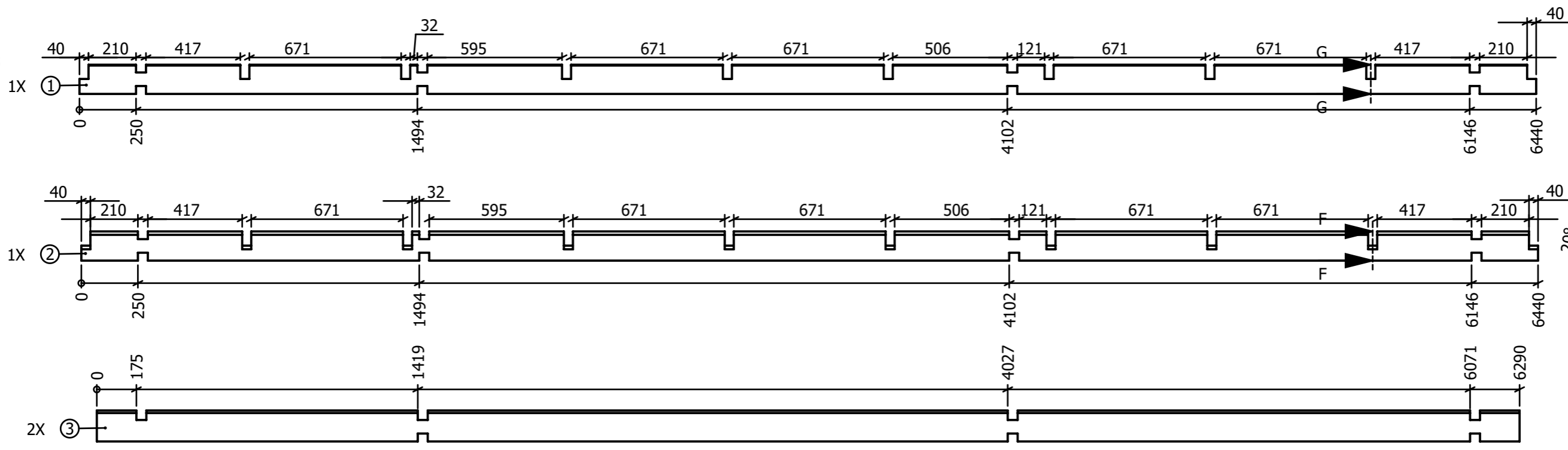
22-03-06
12/19

ITEM NO.	QTY.	DESCRIPTION	LENGTH
1	1	SIDE BEAM 130x44	6440
2	1	SIDE BEAM 130x44	6440
3	2	SIDE BEAM 130x44	6290
4	14	SIDE BEAM 130x44	4896
5	1	SIDE BEAM 130x44	4896
6	1	SIDE BEAM 130x44	4562
7	1	SIDE BEAM 130x44	2581
8	3	SIDE BEAM 130x44	2562
9	14	SIDE BEAM 130x44	2562
10	16	SIDE BEAM 130x44	1566
11	15	SIDE BEAM 130x44	1418
12	16	SIDE BEAM 130x44	1046
13	16	SIDE BEAM 130x44	764
14	29	SIDE BEAM 130x44	581
15	15	SIDE BEAM 130x44	244
16	4	SIDE BEAM ***x44	0

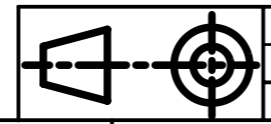


Date	2022-02-27
------	------------

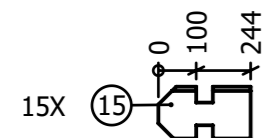
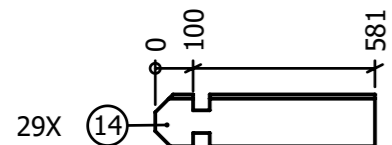
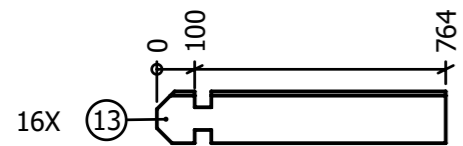
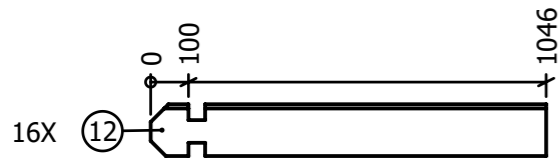
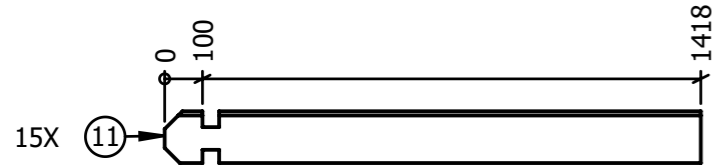
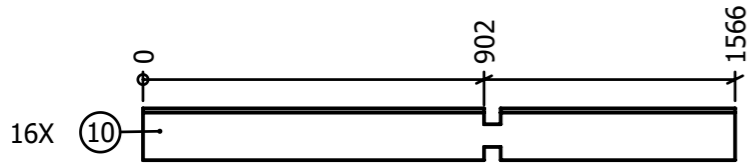
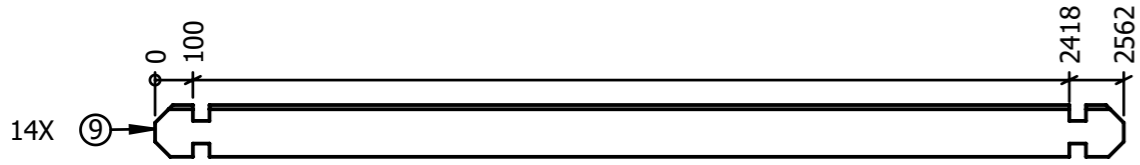
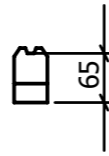
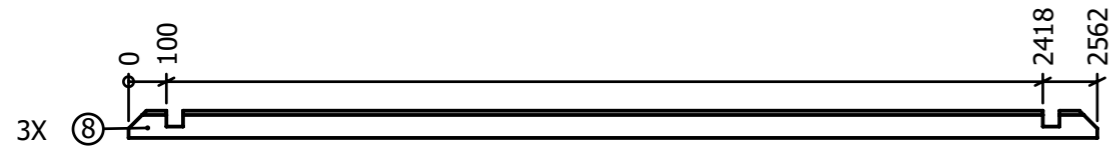
22-03-06
13/19



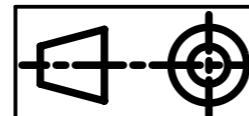
Date	2022-02-27



22-03-06
14/19



Date	2022-02-27
------	------------



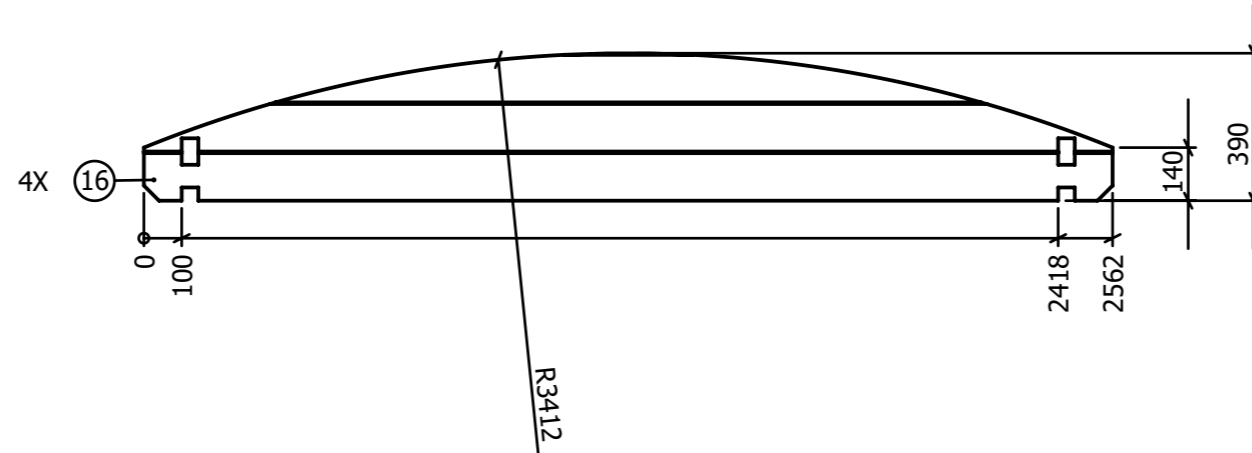
Sheet 6-7

2022-02-27 13:04:50
Date


220224_CRW185[1w-1]

A3
8-15

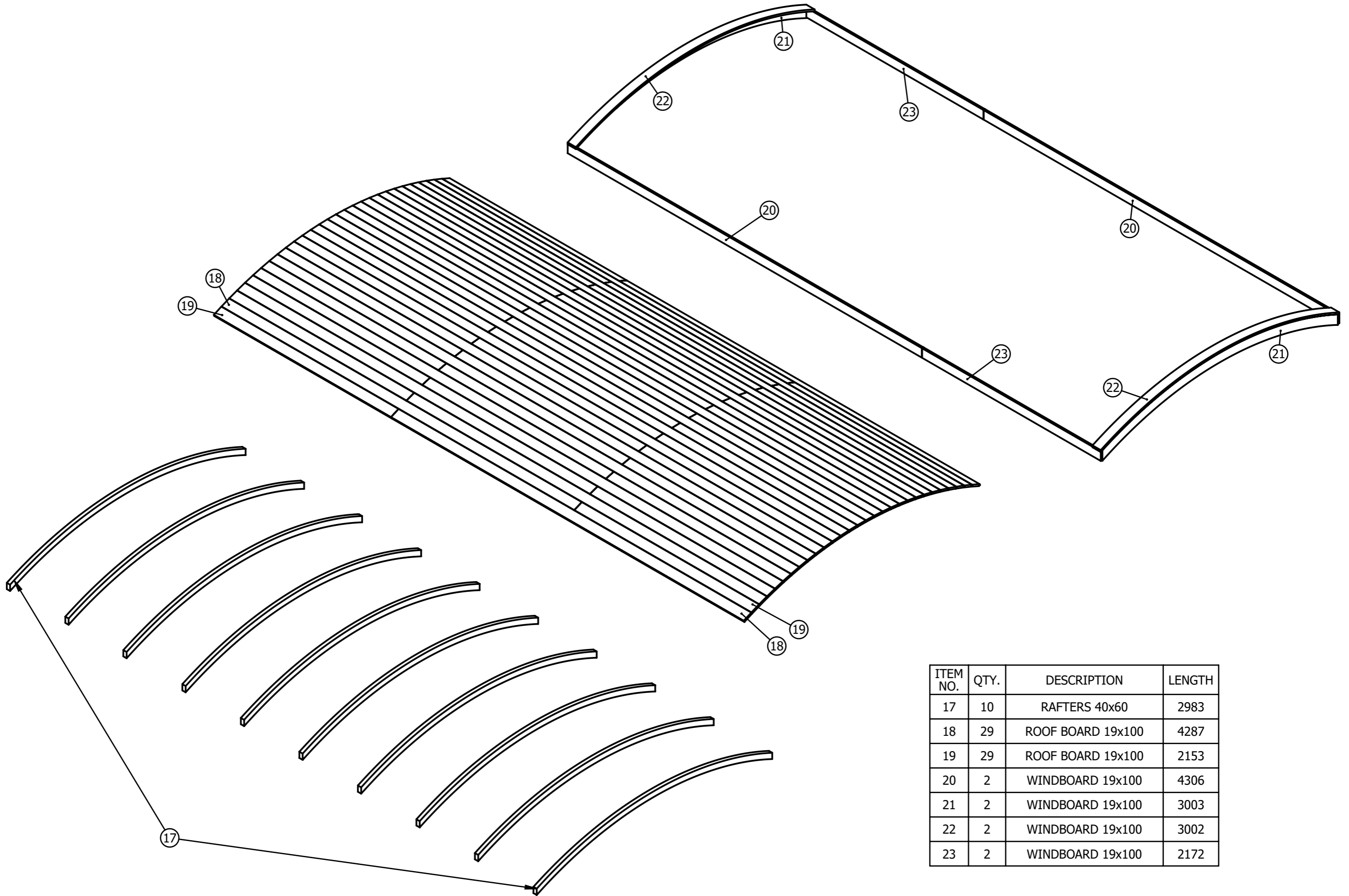
22-03-06
15/19



Date	2022-02-27				
	13:04:50				

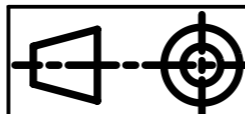
		1:20			220224_CRW185[1w-1]	A3
		Sheet 7-7	Date	2022-02-27		16

22-03-06
16/19



ITEM NO.	QTY.	DESCRIPTION	LENGTH
17	10	RAFTERS 40x60	2983
18	29	ROOF BOARD 19x100	4287
19	29	ROOF BOARD 19x100	2153
20	2	WINDBOARD 19x100	4306
21	2	WINDBOARD 19x100	3003
22	2	WINDBOARD 19x100	3002
23	2	WINDBOARD 19x100	2172

Date
2022-03-02



SgS

2022-03-06
18:46:57

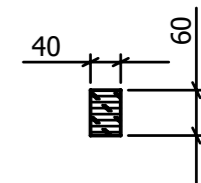
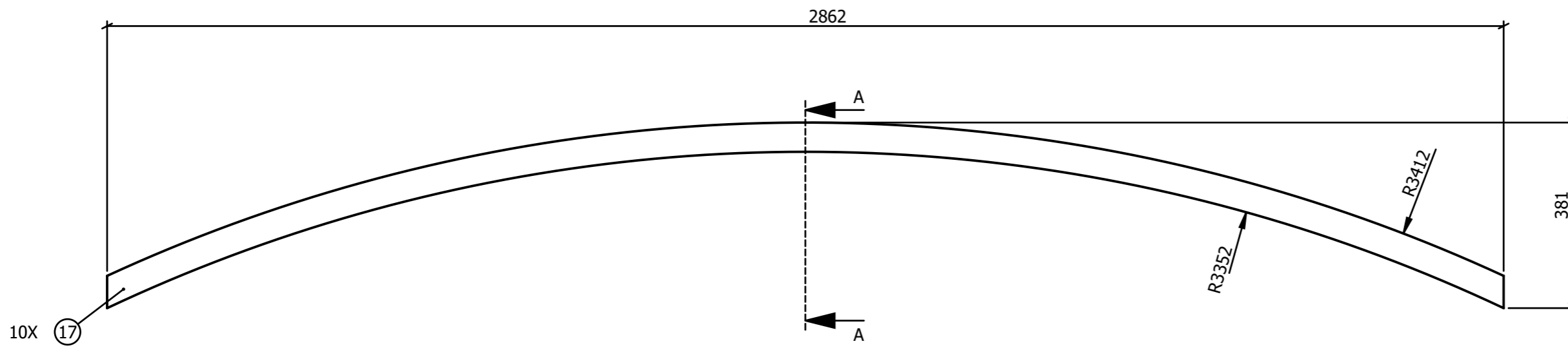
Date

220224_CRW185[3r-1]

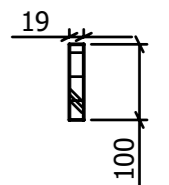
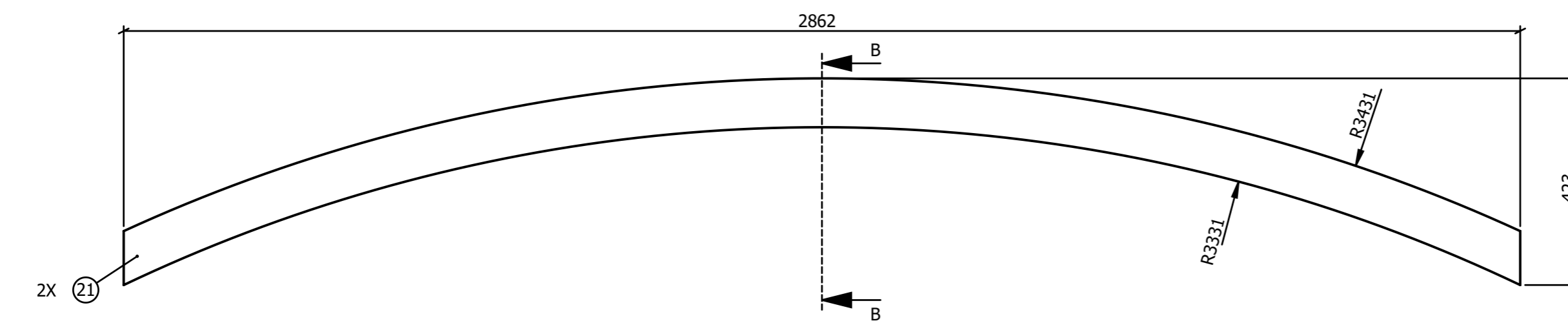
A3

Sheet1

22-03-06
17/19

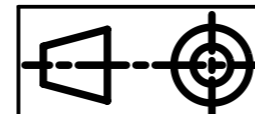


SECTION A-A



SECTION B-B

Date	2022-03-02



2022-03-06
18:46:57

Date

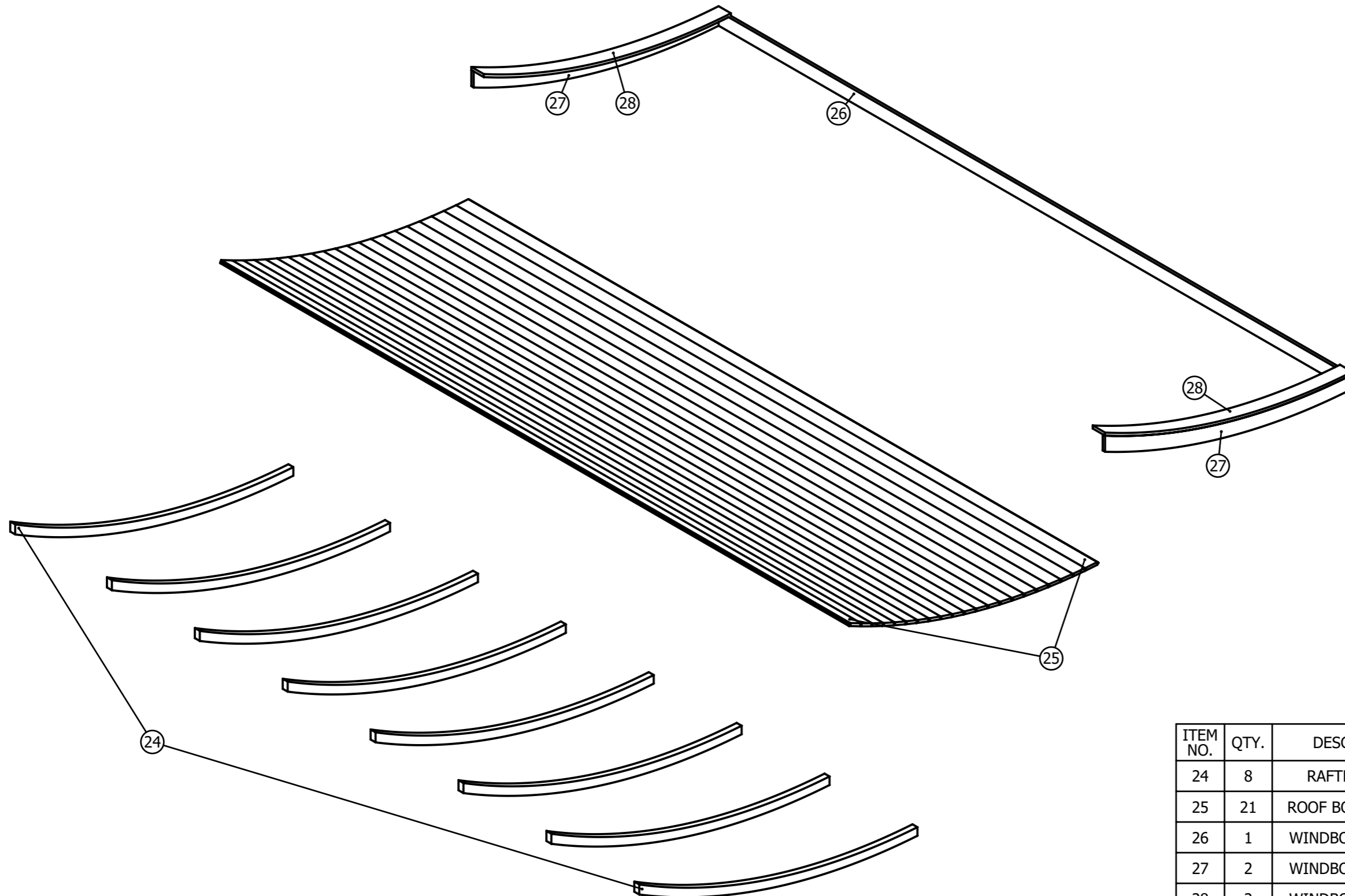
220224_CRW185[3r-1]

Sheet 2-2

Sheet2

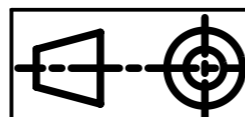
A3

22-03-06
18/19



ITEM NO.	QTY.	DESCRIPTION	LENGTH
24	8	RAFTERS 40x60	2406
25	21	ROOF BOARD 19x100	5088
26	1	WINDBOARD 19x100	5088
27	2	WINDBOARD 19x100	2124
28	2	WINDBOARD 19x100	2102

Date
2022-03-02



SgS

2022-03-06
18:48:55

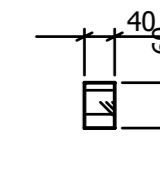
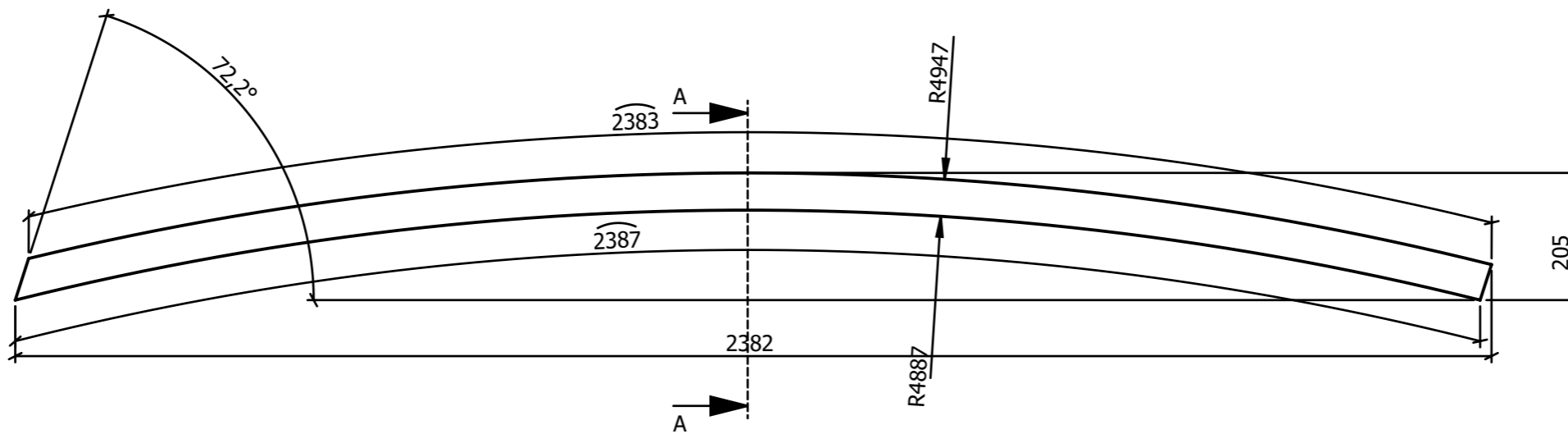
Date

220224_CRW185[3r-2]

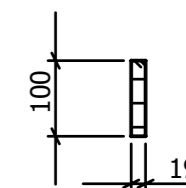
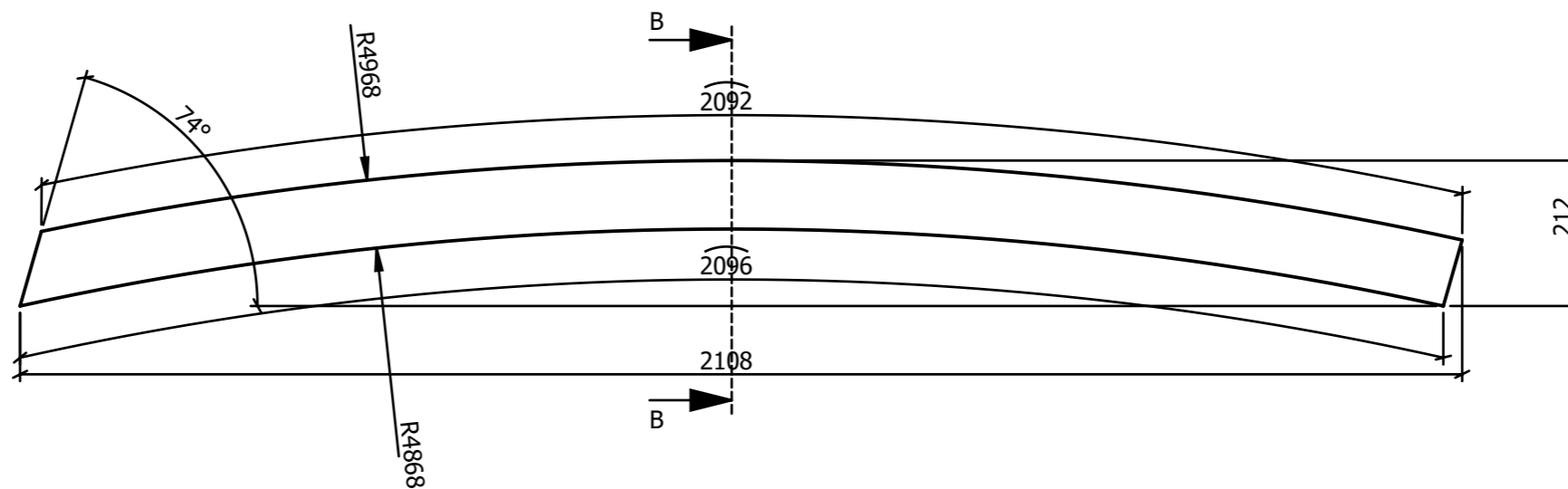
A3

Sheet1

22-03-06
19/19

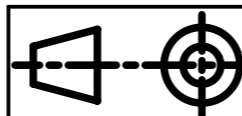


SECTION A-A



SECTION B-B

Date	2022-03-02
------	------------



Sheet 2-2

2022-03-06
18:48:55

Date

220224_CRW185[3r-2]

Sheet2

A3